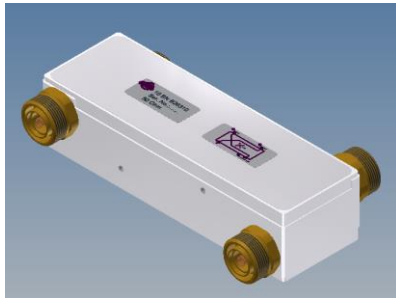
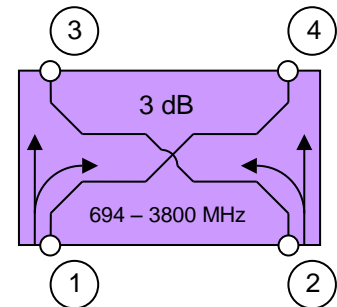


3dB Coupler (X-Style)



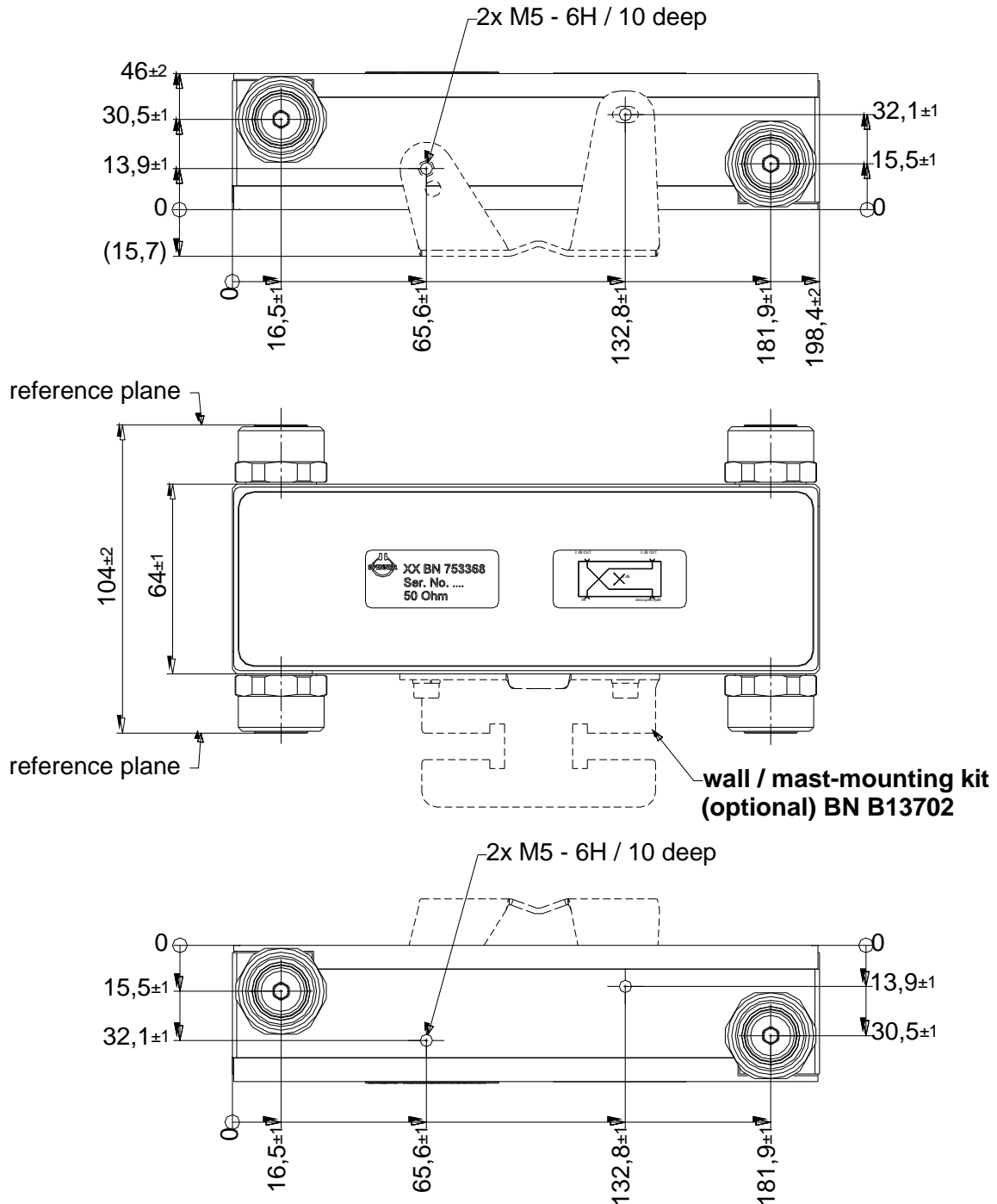
not binding



Block Diagram

Part number	BN 753368
Connectors	7-16 female (50 Ohms)
Port 1; Port 2	Input ports
Port 3; Port 4	Output ports
Frequency range	694 - 3800 MHz
Insertion loss	
Port 1, 2 → Port 3; Port 1, 2 → Port 4	3 dB ± 0.5 dB* (@694 - 2700MHz) 3 dB ± 0.7 dB* (@2700 - 3800MHz) *including nominal 3dB splitting losses
Isolation	≥ 30 dB typical: ≥ 35 dB
VSWR	≤ 1.08 (@694 - 2700MHz) ≤ 1.10 (@2700 - 3800MHz)
Max. input power per port	500 W (@694 - 2000MHz) 300 W (@2000 - 3800MHz)
IM – value	
3rd order @ 2 x 20W	≤ -160 dBc
Test voltage	500 V
Degree of protection	IP 68
Environmental conditions	ETSI EN 300019-1-1 Class 1.2 ETSI EN 300019-1-2 Class 2.3 ETSI EN 300019-1-4 Class 4.1E
Wall / Mast mounting	to be ordered separately under BN B13702
Weight	1.8 kg
Temperature range	-40 °C – +70 °C

Dimensions:



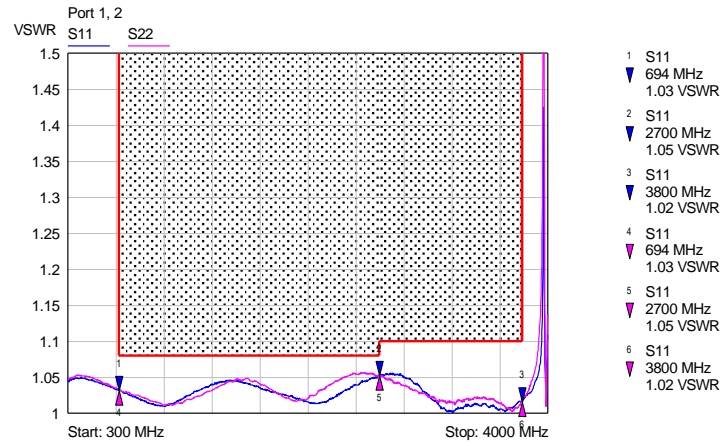
Standard:

7-16 female (50 ohms): CECC 22190, IEC 61169-4

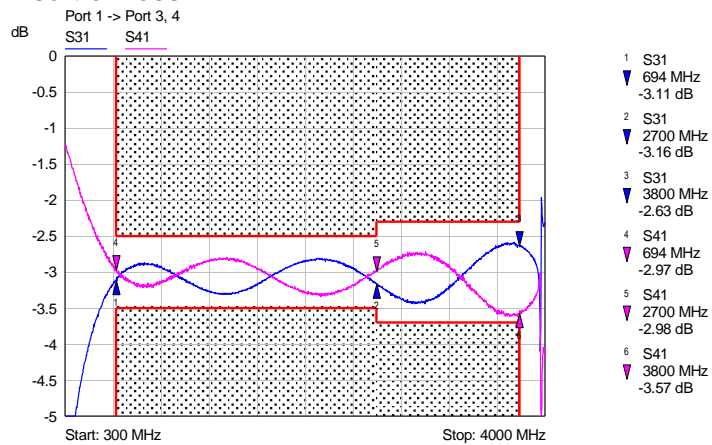
modifications reserved

Measurements:

VSWR:



Insertion loss:



Isolation:

