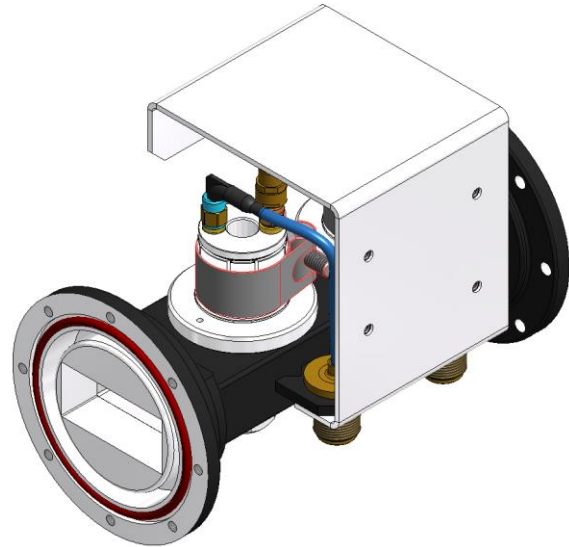
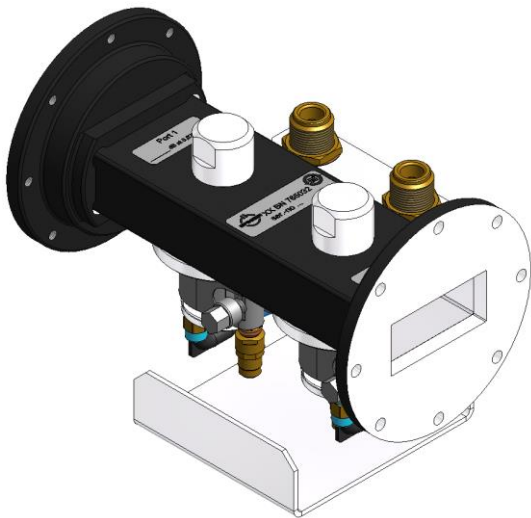


R48 Directional Coupler || BN 765032



Radio frequency characteristics

	main line		probe
	Clystron & magnetron transmitter	SSPA transmitter	
Interface type / material / surface finish	Flange 1: M3922/62-001 / aluminum alloy / chromated (choke)		N socket, copper alloy, silver plated
	Flange 2: M3922/57-001 / aluminum alloy / chromated (cover)		
Frequency range	5.35 to 5.8 GHz		
Calibration frequencies	5.35 to 5.8 GHz in 5 MHz steps		
Peak power capability, max.	350 kW @ 5 µs pulse	10 kW @ 200 µs pulse	
Average power capability, max.	0.6 kW	1 kW	
Duty, max.	0.22 %	10 %	
Pulse width, max.	0.5 µs to 5 µs	0.5 µs to 200 µs	
Pulse repetition frequency	50 to 2400 Hz	500 to 10000 Hz	
VSWR, max.	1.05		1.25
Directivity, min.	30 dB (5.4 to 5.8 GHz)		
Coupling attenuation, port 1 (reflected)	30 dB ± 1 dB		
Coupling attenuation, port 2 (forward)	30 dB ± 1 dB		
Coupling flatness	+/- 0.75 dB across range		

General mechanical data

Differential operating pressure, max.	1.1·10 ⁵ Pa (1.1 bar; ~15 psig), dried air
Paint (outside)	black
Weight, approx.	0.8 kg
Marking	adhesive label
Documentation	measured coupling values over frequency span delivered with coupler and label with measured coupling value at 5,625 GHz attached to coupler

SPINNER GmbH
 This document is proprietary to us.
 All rights reserved. Any use, transfer, or reproduction of this document
 or the know-how contained therein requires our express consent.

Template TD-00002J

R48 Directional Coupler || BN 765032

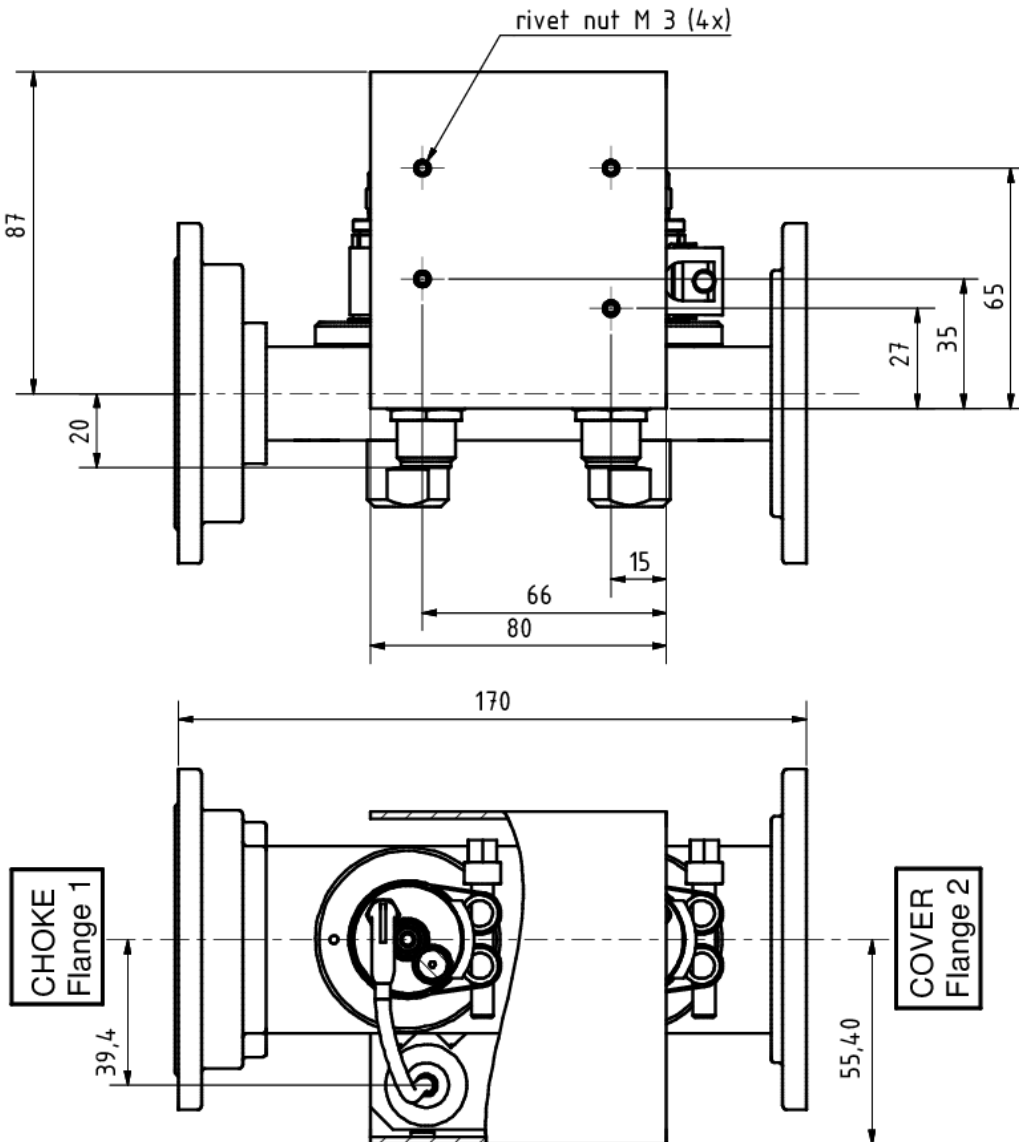
General environmental conditions

Operation	
Operating temperature range	-40 to +55 °C
Storage temperature range, unpressured	-50 to + 70 °C
Relative humidity, max.	95% at 40°C (non-condensing)

Scope of delivery and accessories

Scope of delivery	Test data sheet (VSWR and coupling vs. frequency in 5 MHz steps, and graphical form) Protection caps at Flanges and N-Connectors
-------------------	---

Outline and dimensions



SPINNER GmbH
 This document is proprietary to us.
 All rights reserved. Any use, transfer, or reproduction of this document
 or the know-how contained therein requires our express consent.

Template TD-00002J