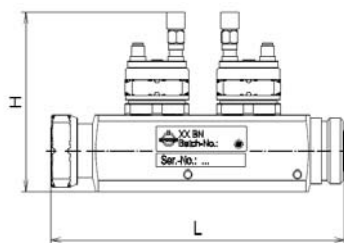
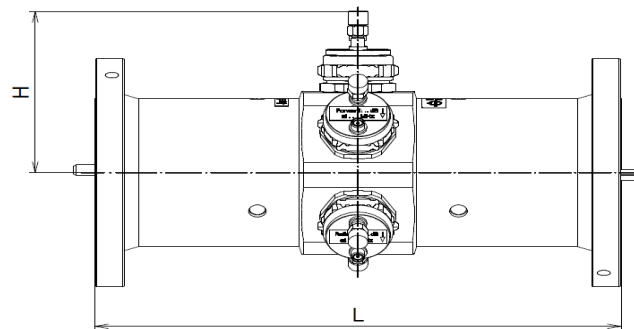


# DIRECTIONAL COUPLERS “FLAT FREQUENCY RESPONSE” (1 TO 5 PROBES)

- for monitoring the RF signal during operation
- for monitoring the VSWR during operation
- adjustable coupling factor constant in UHF band
- high directivity
- low VSWR and insertion loss
- integrated 1W termination load
- for indoor use



BN 800468c2002



BN 800265c2005

Part number	1-way	---	BN 800865c2001	---	---
	2-way	BN 800468c2002	BN 800865c2002	BN 800265c2002	BN 800365c2002
	3-way	---	BN 800865c2003	BN 800265c2003	BN 800365c2003
	4-way	---	---	BN 800265c2004	BN 800365c2004
	5-way	---	---	BN 800265c2005	BN 800365c2005
Frequency range full performance	470 - 860 MHz				
Proof voltage at sea level	3 kV	7 kV	14 kV	19 kV	
Average power	≤ 2 kW	≤ 7 kW	≤ 23 kW	≤ 38 kW	
Coupling range	40 - 68 dB	50 - 78 dB	54 - 80 dB	56 - 80 dB	
Variation of coupling in band	≤ ±0.15 dB if termination of the probe port VSWR < 1.02				
VSWR main line	≤ 1.04				
Directivity	34 - 40 dB				
Insertion loss	≤ 0.05 dB				
Connectors main line	7-16 male / female	1 5/8" EIA	3 1/8" EIA	4 1/2" EIA	339 IEC 50-105
Monitoring port	SMA female				
Termination load	1 W load included Attention: The total power at the monitoring port must not be greater than 17dBm (≅ 50mW)				
Dimensions (L x H) mm	148 x 98.5	150 x 92	240 x 110.5	300 x 122.5	
Weight	0.6 kg	1.1 kg	3.5 kg	5.3 kg	
Environmental conditions	for limitations other than above see „Environmental Conditions for Broadcast Products“				