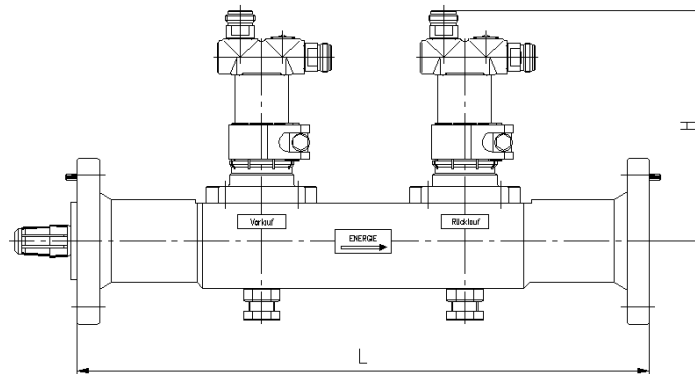


DIRECTIONAL COUPLER 1 5/8" EIA || BN 80 08 27



Probes mounted in main line of 1 5/8" directional coupler BN 800827

- suitable in a wide frequency range
- variable coupling factor
- low VSWR, high directivity
- extremely compact
- for indoor application

Frequency range	1.5 MHz to 108 MHz	
Proof voltage, max. (at sea level)	7.0 kV	
Average power, max. ¹⁾	1.5 MHz	100 kW
	10 MHz	62 kW
	30 MHz	36 kW
	108 MHz	19 kW
Coupling range, tunable ¹⁾	1.5 MHz	66 to 81 dB
	10 MHz	50 to 65 dB
	30 MHz	40 to 55 dB
	108 MHz	29 to 44 dB
Variation of coupling attenuation	$20 \log \frac{f_{Ref}}{f_{Searched}}$	
Coupling tolerance, max.	± 0.1 dB	
VSWR main line, max. ¹⁾	1.06	
Directivity, min. ¹⁾	34 - 40 dB	
Insertion loss, max. ¹⁾	0.05 dB	
Connectors coupled line	N female	
Termination load of coupled line	Must be ordered separately. The load should handle at least the output power at the coupled port.	
Dimensions included main line (L x H) mm	310 x 170	
Weight	2.85 kg	
Environmental conditions	See TD-00060	
Manual	See M36373	

1) In a suitable transmission line. Values here are referenced to the main line of BN 800829

DIRECTIONAL COUPLER 1 5/8" EIA || BN 80 08 27

