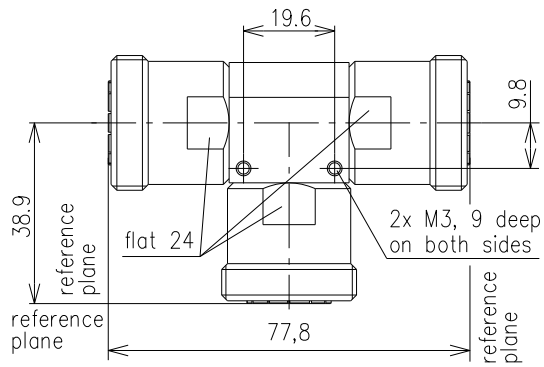


T-Adaptor 7-16 Socket || BN 818100



all dimensions in millimeter

Interface type	7-16 socket (50 Ω) per IEC 61169-4
Inner conductor material / surface finish	copper alloy / silver plated CuBe age-hardened / silver plated
Outer conductor material / surface finish	copper alloy / silver plated
Other metal parts / surface finish	stainless steel / untreated
Insulation	PTFE
Weight, approx.	290 g