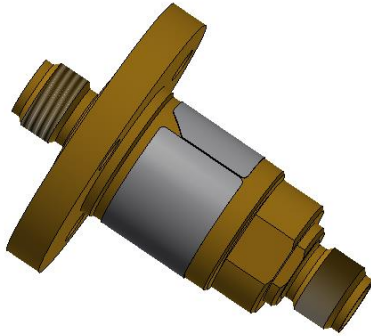


Rotary Joint || BN 835047C0011



Radio frequency characteristics

Channel designation	Channel 1
Coaxial interface connector / material / surface finish	SMA-f (50 Ω) / copper alloy / gold plated
Interface orientation	style I
Frequency range	DC to 18 GHz
Peak power rating	3 kW @ sea level 90 W @ 55000 feet
Average power rating	200 W @ 1 GHz 40 W @ 15 GHz 30 W @ 18 GHz
VSWR, max. / typ.	1.3 @ DC to 10 GHz 1.4 @ 10 to 18 GHz
VSWR variation over rotation, max. / typ.	0.05
Insertion loss, max. / typ.	0.25 dB @ DC to 10 GHz 0.30 dB @ 10 to 18 GHz
Insertion loss variation over rotation, max. / typ.	0.05 dB
Phase variation over rotation, max. / typ.	1 deg.
DC carrying capability	0.5 A, 48 VDC @full RF avg. power 2 A 48 VDC @ RF avg. power 5 W 5 A ^{RF1)} . 48 VDC @ RF avg. power 5 W

^{RF1)} Conditions: - applied for max. 1 x 10⁶ revolutions or 50 h.

SPINNER GmbH
 This document is proprietary to us.
 All rights reserved. Any use, transfer, or reproduction of this document
 or the know-how contained therein requires our express consent.

Template TD-00015N

Rotary Joint || BN 835047C0011

Mechanical characteristics

Rotating speed, max. / nominal	300 rpm / 200 rpm
Life, min.	5 x 10 ⁶ revolutions
Torque (room / min. temperature), max.	2.5 Ncm / 1.0 Ncm @ start-up 2.0 Ncm / 0.8 Ncm @ rotation
Interface loads, max.	±1 N in axial direction ±1 N in radial direction
Case material	copper alloy
Case surface finish	silver plated painted none
IP protection level	IP40
Weight, approx.	0.028 kg
Marking	adhesive label

Environmental conditions

Operation		
Application	airborne, plane	
Operating altitude, max.	55.000 ft	
Ambient temperature range	-55 to +85°C	
Relative humidity, max.	100% (non-condensing)	
Shock	6 g / 11 ms, Sawtooth	
Vibration	Random Vibration per RTCA DO-160 for Equipment Installed in Fixed Wing Aircraft with Turbojet or Turbofan Engines, Class C Curve (4.12 Grms)	
	Frequency - Hz	Acceleration Spectral Density - g ² /Hz
	10	0.012
	40	0.012
	51.7	0.020
500	0.020	
2000	0.00126	
Storage		
Ambient temperature range	-55 to +85°C	
Relative humidity, max.	95% (non-condensing)	

Applicable documents

Drawing	835047C0011-0E, Issue B
Product manual	M36066
Technical information	“Rotary Joints – Glossary”, technical document TD-00021, Spinner GmbH

SPINNER GmbH
 This document is proprietary to us.
 All rights reserved. Any use, transfer, or reproduction of this document
 or the know-how contained therein requires our express consent.

Template TD-00015N