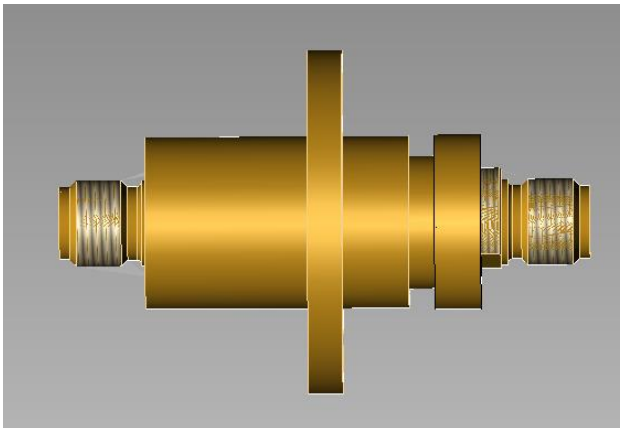


Rotary Joint || BN 835086



Radio frequency characteristics

Channel designation	Channel 1
Interface type / material / surface finish	SMA-f (50 Ω) / copper alloy / chromium plated
Interface orientation	Style I
Frequency range	DC to 8 GHz
Average power capability	30 W
VSWR, max.	1.2 @ 0 to 4 GHz 1.4 @ 4 to 8 GHz
VSWR variation over rotation, max.	0.2
Insertion loss, max.	0.2 dB
Insertion loss variation over rotation, max.	0.2 dB
DC carrying capability	0.5 A @ 48 V DC, full RF avg. power 2A @ 48 V DC, 1W RF avg. power

Mechanical characteristics

Rotating speed, max.	60 rpm
Life, min.	2*10 ⁶ revolutions @ 0.5 A max. DC current 0.25*10 ⁶ revolutions @ 2 A max. DC current
Torque (room temperature), max.	0.05 Nm @ start-up 0.05 Nm @ rotation
Interface loads, max.	no loads allowed
Case material	copper alloy
Case surface finish	Partly plated by silver, nickel, tin
IP protection level	IP40 per EN 60529
Weight, approx.	0.05 kg
Marking	laser engraving

Template TD-00002U

Rotary Joint || BN 835086

Environmental conditions

Operation	
Ambient temperature range	-40 to +85 °C
Relative humidity, max.	95% (non-condensing)
Storage	
Ambient temperature range	-40 to +85°C
Relative humidity, max.	95% (non-condensing)

Applicable documents

Drawing	835086-0E, Issue A
Technical information	"Rotary Joints – Glossary", Technical Document TD-00021, Spinner GmbH