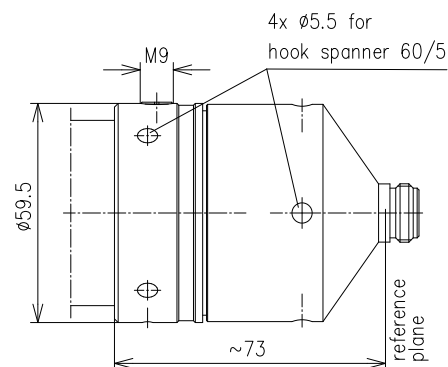


CABLE SOCKET FOR LF 1 5/8"-50-TYPE N



| | | | |
|---------------------------|----------------------------------|----------------------|------------------|
| Part number | BN 84 63 44 | | |
| Connector type | N socket | | |
| Version | CAF® | | |
| Impedance | 50 Ω | | |
| Frequency range | 0 - 1 GHz | ≤ 1 - 2.2 GHz | ≤ 2.2 - 2.75 GHz |
| VSWR | ≤ 1.02 | ≤ 1.03 | ≤ 1.06 |
| Material and surface | | | |
| Inner conductor | copper alloy | silver-plated | |
| Outer conductor | copper alloy | silver-plated | |
| Other metal parts | copper alloy | bright nickel-plated | |
| Insulation | PTFE | | |
| Sealing | silicone rubber, PLAST 2000® | | |
| Degree of protection | IP68 (mated) | | |
| Cable compatibility | RFS | LCF 158-50 A | |
| Standards | IEC 61169-16 | | |
| Weight | approx. 0.57 kg | | |
| Installation instructions | M30798 | | |
| Included in delivery | cover, installation instructions | | |