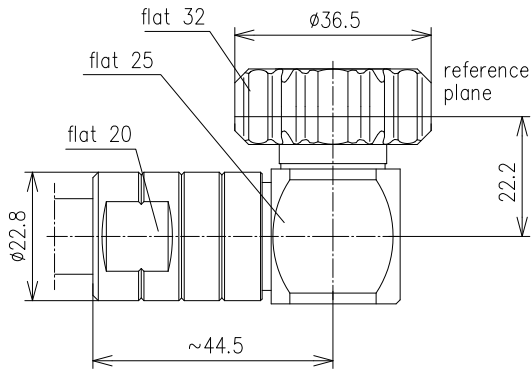


RIGHT ANGLE PLUG FOR SF 1/2"-50-TYPE 7-16



Part number	BN 84 73 57			
Connector type	7-16 plug			
Version	CAF®			
Impedance	50 Ω			
Frequency range	0 - 1 GHz	1 - 2.2 GHz	2.2 - 2.7 GHz	2.7 - 3.8 GHz
VSWR	≤ 1.02	≤ 1.04	≤ 1.06	≤ 1.13
Material and surface				
Inner conductor	copper alloy		silver-plated	
Outer conductor	copper alloy		silver-plated	
Other metal parts	copper alloy		bright nickel-plated	
Insulation	PTFE			
Sealing	silicone rubber			
Degree of protection	IP68 (mated)			
Cable compatibility	RFS	SCF 12-50, UCF 12-50		
Standards	IEC 61169-4			
Installation instructions	M30762			
Weight	approx. 0.22 kg			
Included in delivery	installation instructions			