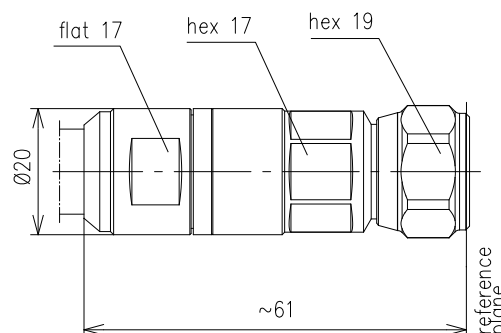


CABLE PLUG FOR SF 1/2"-50-TYPE N



<b>Part number</b>	<b>BN 87 01 71</b>			
Connector type	N plug			
Version	MultiFit™			
Impedance	50 Ω			
Frequency range	0 - 1 GHz	1 - 2.7 GHz	2.7 - 3.8 GHz	3.8 - 6 GHz
VSWR	≤ 1.02	≤ 1.03	≤ 1.08	≤ 1.14
Material and surface				
Inner conductor	copper alloy		silver-plated	
Outer conductor	copper alloy		CuSnZn-plated	
Other metal parts	copper alloy		bright nickel-plated	
Insulation	PTFE			
Sealing	silicone rubber			
Degree of protection	IP68 (mated)			
Cable compatibility	Spinner	SPINNERFlex™ SF 1/2"-50		
	Acome	HPL50-1/2 SF		
	Andrew	FSJ4-50B		
	Draka	RFF 1/2"-50		
	Eupen	EC4-50-HF		
	Hansen	RF 50 1/2"S		
	Hengxin	HRCAY-50-9		
	Leoni	FlexLine 1/2"S		
	LS Cable	HFSC 12D		
	RFS	SCF 12-50		
Standards	IEC 61169-16			
Installation instructions	M32106			
Weight	approx. 0.08 kg			
Included in delivery	installation instructions			