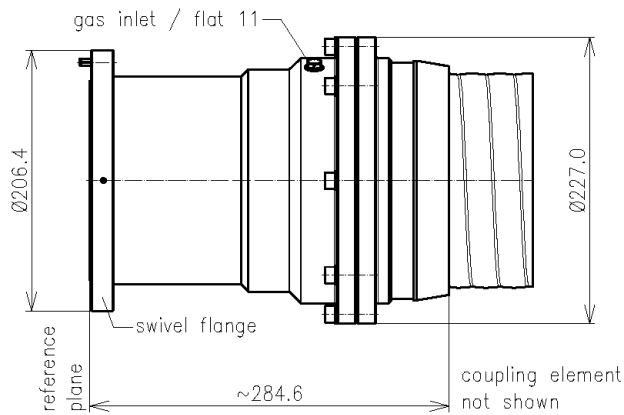


### Cable socket 6 1/8"EIA for HCA618-50 | BN 871119C0001



All dimensions in millimeter

Interface type	6 1/8" EIA (50 Ω) per IEC 60339-2	
Version	Connector including coupling element BN 919310	
Frequency range	DC to 860 MHz	
VSWR, max.	1.02 @ DC to 860 MHz	
Peak power capability	2890 kW	
Average power capability*	56.9 kW @ 860 MHz	
Proof voltage, max.	17 kV	
Inner conductor material / surface finish	copper alloy / silver plated	
Outer conductor material / surface finish	copper alloy / silver plated	
Other metal parts / surface finish	copper alloy / nickel plated	
Insulation	PTFE	
Sealing	silicone rubber	
IP protection level	IP68 (pressure-tight up to 4 bar / 400 kPa)	
Cable compatibility	RFS	HCA618-50
Installation instructions	20398A	
Weight, approx.	21 kg	
Operating temperature range	-40 to +85 °C	
Storage temperature range	-70 to +85 °C	
Gas inlet	NPT 1/8"	
Scope of delivery	coupling element, protective cap, sealing, installation instructions	

\*at 40°C ambient temperature

SPINNER GmbH  
 This document is proprietary to us.  
 All rights reserved. Any use, transfer, or reproduction of this document  
 or the know-how contained therein requires our express consent.

Template TD-00003 | H