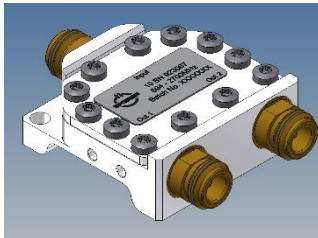
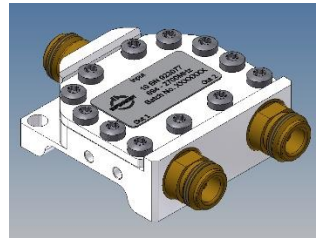


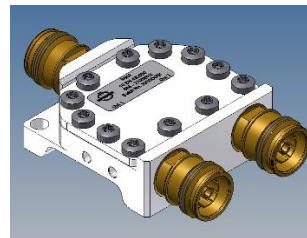
Stripline 2-Way-Splitter



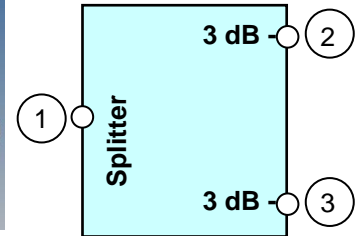
BN 923067



BN 923077



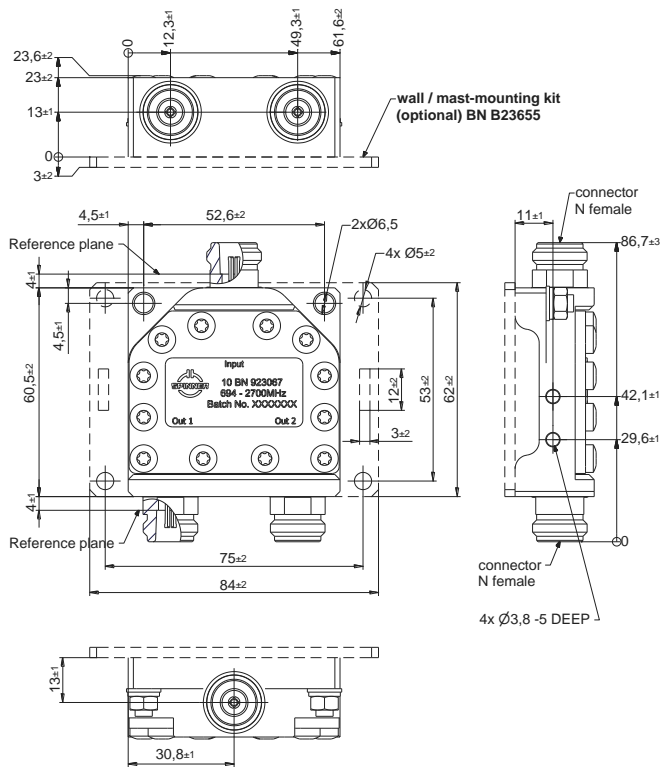
BN 433000



Block Diagram

Part number	BN 923067	BN 923077	BN 433000
Splitting ratio	1 : 0.5 : 0.5		
Connectors	N socket (50 Ohms)		4.3-10 socket (50 Ohms)
Frequency range	694 – 2700 MHz		
Insertion loss	3.1 dB ± 0.2 dB (including splitting losses)		
VSWR	≤ 1.3 (Port 1)		
Phase difference	≤ 3.0°		
Power rating	300 W CW		
IM - value 3rd order @ 2 x 20 W	≤ -160 dBc typical ≤ -165 dBc		
DC-by-pass	DC all ports (max. 1A per input max. 60V DC(AISG Standard, 2.0, § 6.4))		
Degree of protection	IP 62 Indoor	IP 65 outdoor	IP 62 Indoor
Environmental conditions	ETSI EN 300019-1-1 Class 1.2 ETSI EN 300019-1-2 Class 2.3 ETSI EN 300019-1-3 Class 3.3	ETSI EN 300019-1-1 Class 1.2 ETSI EN 300019-1-2 Class 2.3 ETSI EN 300019-1-4 Class 4.1E	ETSI EN 300019-1-1 Class 1.2 ETSI EN 300019-1-2 Class 2.3 ETSI EN 300019-1-3 Class 3.3
Weight	0.2 kg		0.25 kg
Paint color	no painting	light grey polyurea (RAL 7047)	no painting
Wall / Mast mounting	to be ordered separately under BN B23655		
Temperature range	-25 to +55°C		

Dimensions:

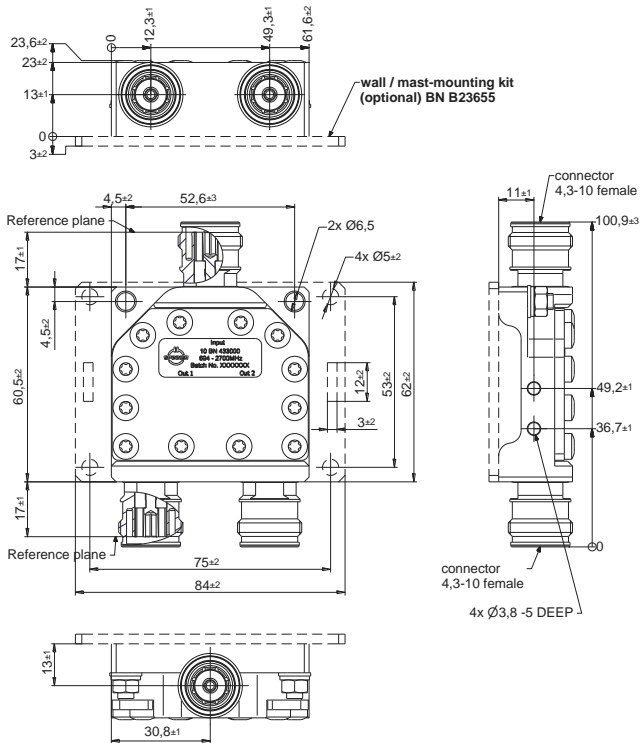


BN 923067/923077

Standard:

N female (50 ohms): CECC 22210, IEC 61169-16

modifications reserved



BN 433000

Standard:

4,3-10 female 50 (ohms): IEC 61169-54

modifications reserved

Measurements:

