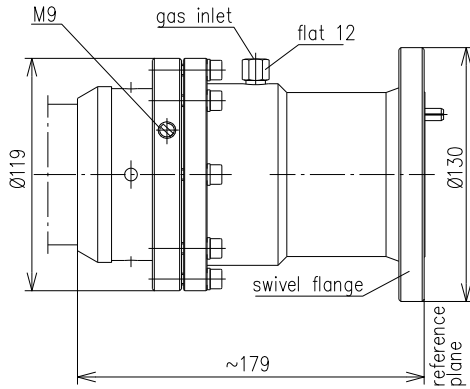


CABLE PLUG FOR AIR DIELECTRIC CABLE 3"-TYPE 3 1/8" EIA



| | | |
|---------------------------|---|----------------------|
| Part number | BN 93 00 50 | |
| Connector type | 3 1/8" EIA | |
| Impedance | 50 Ω | |
| Frequency range | 0 - 1 GHz | |
| VSWR | ≤ 1.02 | |
| Material and surface | | |
| Inner conductor | copper alloy | silver-plated |
| Outer conductor | copper alloy | silver-plated |
| Other metal parts | copper alloy stainless steel | bright nickel-plated |
| Insulation | PTFE | |
| Sealing | silicone rubber, PLAST 2000® | |
| Degree of protection | IP68 (pressure-tight up to 4bar/400kPa) | |
| Cable compatibility | RFS | HCA 295-50 |
| Standards | IEC 60339 | |
| Installation instructions | M25703 | |
| Weight | approx. 5.3 kg | |
| Included in delivery | cover, sealing, installation instructions | |