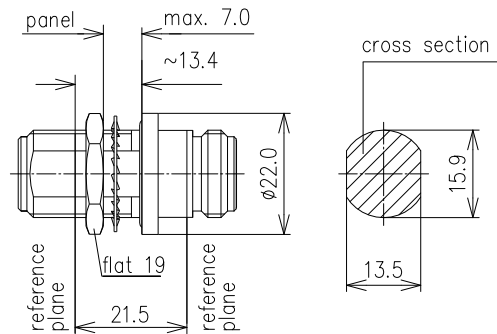


FIXED ADAPTOR TYPE N



<b>Part number</b>	<b>BN 94 49 50</b>			
Connector type	N socket / N socket			
Version	bulkhead mounting			
Impedance	50 Ω			
Frequency range	0 - 1 GHz	1 - 2 GHz	2 - 6 GHz	6 - 11 GHz
VSWR	≤ 1.02	≤ 1.04	≤ 1.12	≤ 1.3
Intermodulation (IM3) 2x20W	≤ -160 dBc			
Material and surface				
Inner conductor	copper alloy		gold-plated	
Outer conductor	copper alloy		silver-plated	
Other metal parts	copper alloy		nickel-plated	
Insulation	PTFE			
Sealing	silicone rubber			
Degree of protection	IP68			
Standards	IEC 61169-16			
Weight	approx. 0.05 kg			
Included in delivery	panel sealing			