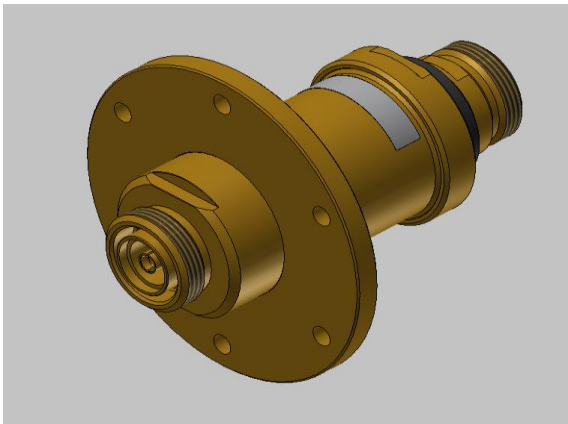


Rotary Joint || BN 945420C0001



Radio frequency characteristics

Interface type / material / surface finish	7-16 (50Ω) / copper alloy / partially Cr or Ag plated
Interface orientation	style I
Frequency range	2.8 to 3.4 GHz
Peak power capability	50 kW
Average power capability	500 W
VSWR, max.	1.06
VSWR variation over rotation, max.	0.005
Insertion loss, max.	0.1 dB
Insertion loss variation over rotation, max.	0.01 dB
Phase variation over rotation, max.	1 deg.
DC carrying capability	-

Rotary Joint || BN 945420C0001

Mechanical characteristics

Rotating speed, max. / nominal	60 / 30 rpm
Life, min.	100 x 10 ⁶ revolutions
Torque (room / min. temperature), max.	0.65 Nm / 0.65 Nm @ start-up 0.5 Nm / 0.5 Nm @ rotation
Interface loads, max.	±75 N in axial direction ±75 N in radial direction
Case material	copper alloy
Case surface finish	chrome plated
IP protection level	IP65
Weight, approx.	1.3 kg
Marking	adhesive label

Environmental conditions

Operation	
Ambient temperature range	-40 to +85°C
Relative humidity, max.	95% (non-condensing)
Storage	
Ambient temperature range	-55 to +85°C
Relative humidity, max.	95% (non-condensing)

Applicable Documents

Drawing	945420C0001-0E Issue B
Technical information	"Rotary Joints – Glossary", Technical Document TD-00021, Spinner GmbH