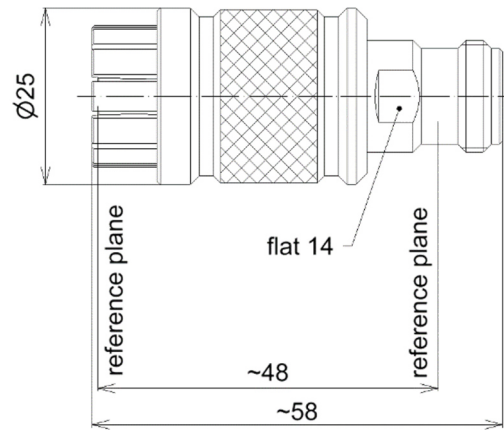


Adaptor Push-Pull plug-socket || BN 950711



all dimensions in millimeter

Radio frequency characteristics

Interface type	N per IEC 61169-16
Frequency range	DC to 18 GHz
Impedance	50 Ω
Return loss, min.	40 dB @ DC to 2 GHz
	32 dB @ 2 to 10 GHz
	26 dB @ 10 to 18 GHz

Mechanical characteristics

Matings	10,000 ¹⁾
Center conductor material / surface finish	CuBe age hardened / gold-plated
Outer conductor material / surface finish	CuBe, copper alloy / gold-plated
Insulation	PMP, PTFE
Other metallic parts / surface finish	CuBe / nickel plated copper alloy / gold plated, nickel plated stainless steel
Weight, approx.	0.1 kg

Environmental conditions

Operation	
Ambient temperature range	+18 to +28°C
Storage	
Ambient temperature range	-40 to +70°C

Scope of delivery and accessories

Scope of delivery	protective caps
-------------------	-----------------

1) In order to ensure best possible measurement result, cleaning has to be assessed and executed by professional staff on a regular basis.