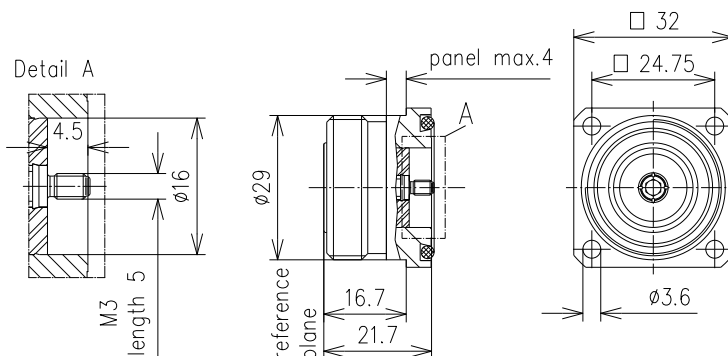


FIXED SOCKET -TYPE 7-16



Part number	BN 95 46 84		
Connector type	7-16 socket		
Version	rear inner conductor with male thread		
Impedance	50 Ω		
Frequency range	0 - 1 GHz	1 - 2 GHz	2 - 4 GHz
VSWR	≤ 1.04	≤ 1.06	≤ 1.1
Intermodulation (IM3) 2x20W	≤ -165 dBc		
Material and surface			
Inner conductor	copper alloy	silver-plated	
Outer conductor	copper alloy	silver-plated	
Insulation	PTFE		
Sealing	EPDM		
Degree of protection	IP68 (mated)		
Contact captivation torque	min. 45 Ncm		
Standards	IEC 61169-4		
Weight	approx. 0.08 kg		