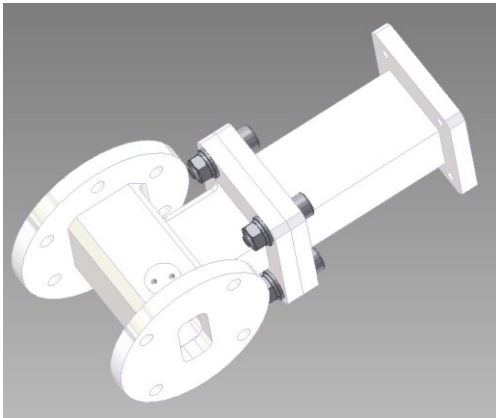


Ortho Mode Transducer / TX Reject Filter Assembly || BN 960802



Outline and dimensions as per drawing 960802-0E

Radio frequency characteristics

Interface type / orientation	TX port (in line): Compatible with UBR120 (IEC-154) RX port (perpendicular): Compatible with UBR120 (IEC-154) Common port: Custom flange, WC75 (Ø 19.05 mm)
Port modes at common port	RX: H ₁₁ (horizontal polarization) TX: H ₁₁ (vertical polarization)
Frequency range	RX port: 10.75 to 12.75 GHz TX port: 13.75 to 14.50 GHz
VSWR, max.	RX port: 1.25 @ 10.95 to 12.25 GHz RX port: 1.20 @ 12.25 to 12.75 GHz TX port: 1.10 (1.05 typ.)
Insertion loss, max.	TX port → common port: 0.10 dB (0.05 dB typ.) Common port → RX port: 0.25 dB (0.20 dB typ.)
Average power capability	TX port: 200 W
Isolation, min	RX port to TX port (10.95 to 12.75 GHz): 40 dB TX port to RX port (13.75 to 14.50 GHz): 85 dB

General mechanical data

Case material	Aluminum alloy
Case surface finish	Chromate conversion coat per MIL-C-5541
Weight, approx.	0.2 kg
Marking	Laser engraving

General environmental conditions

Operation	
Ambient temperature range	-40 to +71°C
Relative humidity, max.	95% (non-condensing)
IP protection level	IP40 per EN 60529 (all interfaces connected)
Storage	
Ambient temperature range	-55 to +85°C
Relative humidity, max.	95% (non-condensing)

Template TD-00002M