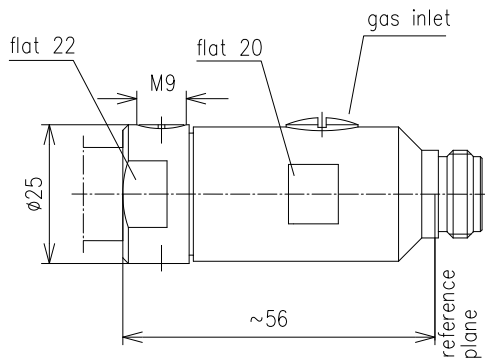


CABLE SOCKET FOR AIR DIELECTRIC CABLE 3/8"-TYPE N



Part number	BN 97 05 18	
Connector type	N socket	
Version	CAF®	
Impedance	50 Ω	
Frequency range	0 - 1 GHz	1 - 2 GHz
VSWR	≤ 1.02	≤ 1.06
Material and surface		
Inner conductor	copper alloy	silver-plated
Outer conductor	copper alloy	silver-plated
Other metal parts	copper alloy	bright nickel-plated
Insulation	PTFE	
Sealing	silicone rubber, PLAST 2000®	
Degree of protection	IP68 (pressure-tight up to 4bar/400kPa)	
Cable compatibility	RFS	HCA 38-50
Standards	IEC 61169-16	
Installation instructions	M30239	
Weight	approx. 0.14 kg	
Included in delivery	cover, installation instructions	