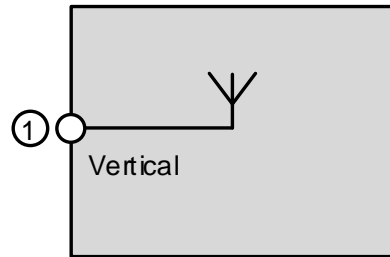


Ceiling mount V-Pol Omni Antenna, 380MHz-6000MHz



not binding

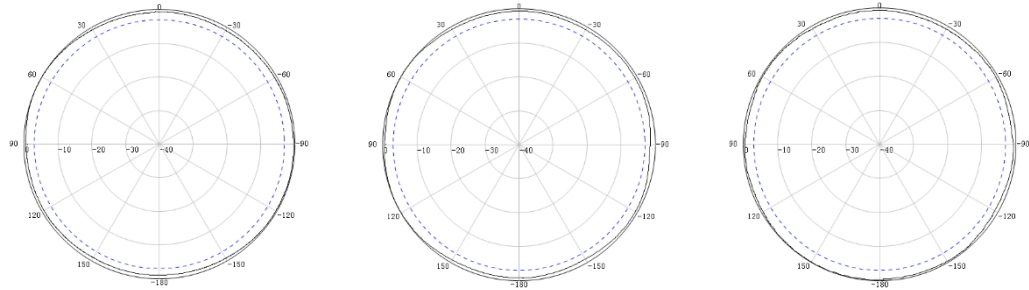


block diagram

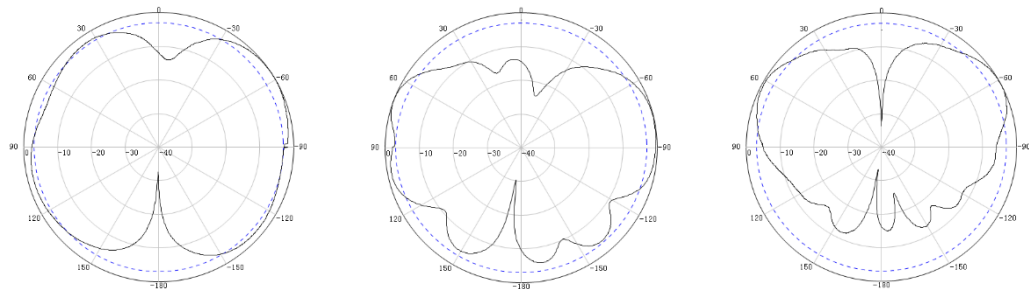
Part number	BN A77144		
Connector	4.3-10 female (50 Ω)		
Frequency range, [MHz]	380-520	694-960	1690-6000
Gain, [dBi]	2.0±1.0	2.5±1.0	4.0±1.0
Polarization	Vertical		
Beam width, [deg]	Horizontal	360	
	Vertical	90	35
VSWR	≤3.0	≤2.0	≤2.0
Intermodulation (IM3) @ 2x 20 W, [dBc]	-	≤-153	≤-153
Input power, [W]	max. 50		
Degree of protection	Indoor / IP54		
Weight, [kg]	0.9		
Radome Material and Color	ABS, White, RAL9003		
Temperature range, [°C]	-55 – +60		
Dimensions, [mm]	Ø298 x 152		
Operational Humidity	<95%		
RoHS	Compliant		
Flammability rating	UL 94-V0		
Fire load, [kWh]	5.51		
Installation instructions	M36535		
Mounting Kit	Ceiling via hole (standard)		

Radiation pattern:

Horizontal pattern



Vertical pattern

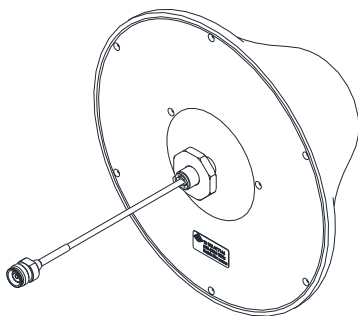
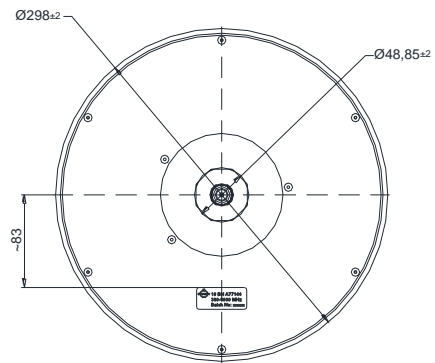
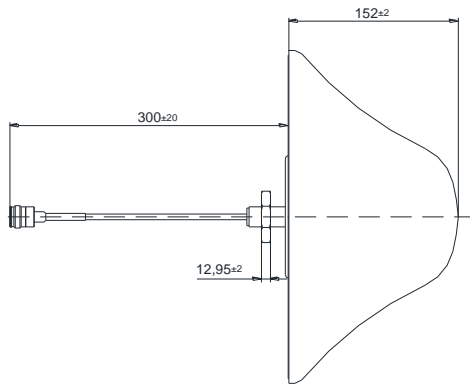


800MHz

1710MHz

2500MHz

Dimensions and mounting:



Standard:

4.3-10 female (50 ohms): IEC 61169-54

Subject to change without notice