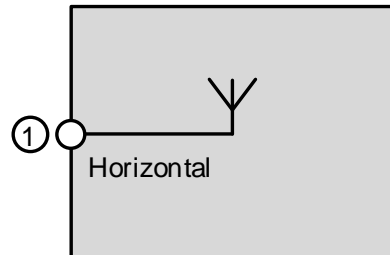


### Thin H-Pol Omni antenna, 350MHz-6000MHz



not binding



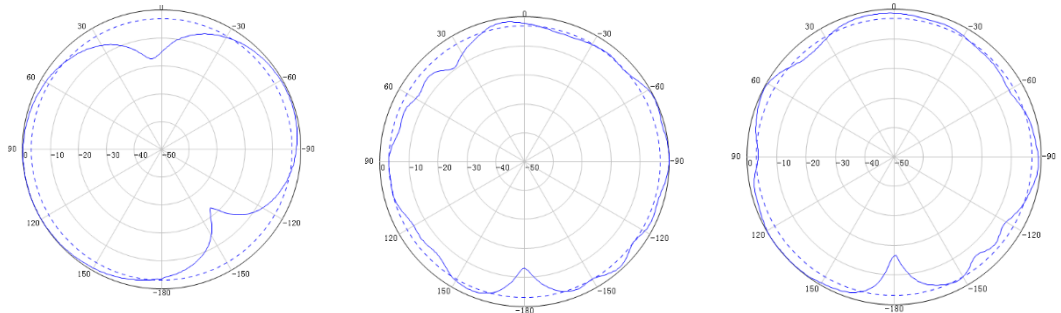
block diagram

| Part number                               |                   | BN A77684                                  |         |           |           |           |           |  |
|---|-------------------|--|---------|-----------|-----------|-----------|-----------|--|
| Connector                                 |                   | 4.3-10 female (50 Ω)                       |         |           |           |           |           |  |
| Frequency range, [MHz]                    |                   | 350-520                                    | 600-960 | 1350-1550 | 1690-2700 | 3300-4200 | 4900-6000 |  |
| Gain, [dBi]                               |                   | 3.0±1.0                                    | 3.0±1.0 | 4.0±1.0   | 4.0±1.0   | 5.0±1.0   | 5.0±1.0   |  |
| Polarization                              |                   | Horizontal                                 |         |           |           |           |           |  |
| Beam width                                | Horizontal, [deg] | 360  |         |           |           |           |           |  |
|   | Vertical, [deg]   | 130  | 90      | 70        | 60        | 55        | 30        |  |
| VSWR                                      |                   | ≤2.0                                       |         |           | ≤1.8      |           |           |  |
| Intermodulation (IM3)<br>@ 2x 20 W, [dBc] |                   | /  |         | ≤-150     |           |           |           |  |
| Input power, [W]                          |                   | max. 50                                    |         |           |           |           |           |  |
| Degree of protection                      |                   | Indoor / IP54                              |         |           |           |           |           |  |
| Weight, [kg]                              |                   | 0.47                                       |         |           |           |           |           |  |
| Radome Material and Color                 |                   | ABS, White, RAL9003                        |         |           |           |           |           |  |
| Temperature range, [°C]                   |                   | -55 – +60                                  |         |           |           |           |           |  |
| Dimensions, [mm]                          |                   | Ø290 x 10                                  |         |           |           |           |           |  |
| Operational Humidity                      |                   | <95%                                       |         |           |           |           |           |  |
| RoHS                                      |                   | Compliant                                  |         |           |           |           |           |  |
| Flammability rating                       |                   | UL 94-V0                                   |         |           |           |           |           |  |
| Fire load, [kWh]                          |                   | 3.69                                       |         |           |           |           |           |  |
| Installation instructions                 |                   | M36535                                     |         |           |           |           |           |  |
| Mounting Kit                              |                   | Ceiling <sup>1)</sup> , via hole(standard) |         |           |           |           |           |  |

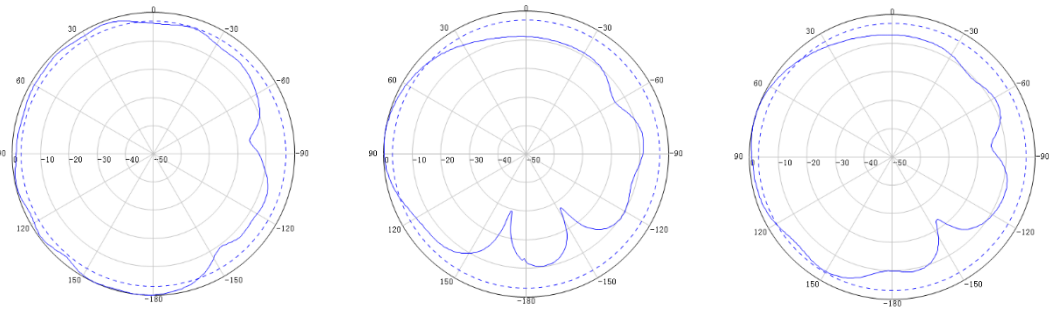
<sup>1)</sup> The installation of thin antennas is not recommended for metal ceilings.

**Radiation pattern:**

**Horizontal pattern**



**Vertical pattern**

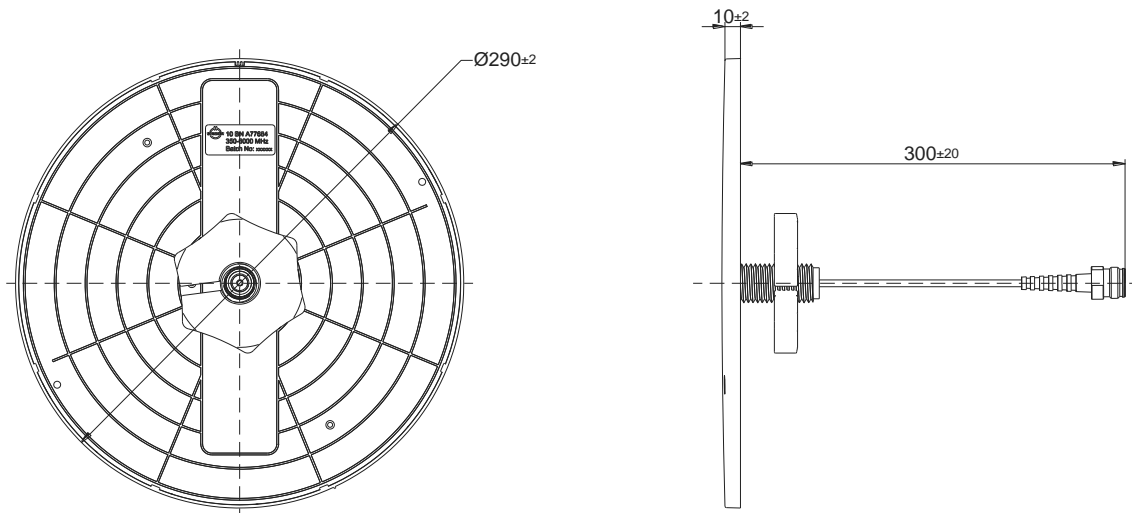


800MHz

2170MHz

2500MHz

**Dimensions and mounting:**



**Standard:**  
4.3-10 female (50 ohms): IEC 61169-54

Subject to change without notice