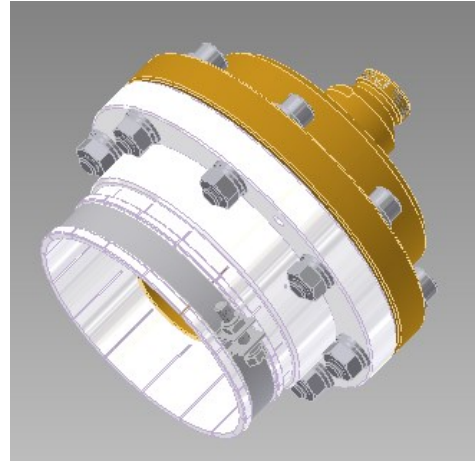


Adaptor RL 52 - 120 SMS clamp to 7-16 female

- compact design
- low VSWR
- for indoor application



<b>Part number</b>	<b>BN B0 36 17 C0000</b>
Connector type	RL52 - 120 SMS clamp 7-16 female
Impedance	50 Ω
Frequency range	0 - 862 MHz
VSWR	<1.02
Material and surface	
Inner conductor	copper alloy, silver-plated
Outer conductor	copper alloy, silver-plated, aluminum
Clamp	steel, zinc-plated
Insulation	PTFE
Standards	EN 122190, IEC 61169
Dimensions (L x W x H) mm	ca. 178 x 178 x 153
Ambient temperature	-10 °C ≤ θ ≤ +55 °C
Weight	approx. 5.50 kg
Environmental conditions	For limitations see "Environmental Conditions for Broadcast Products" TD-00060