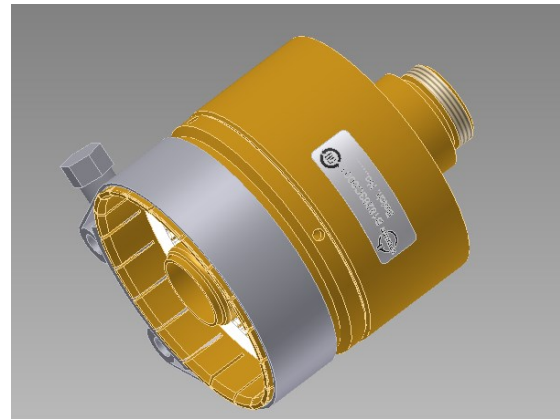


Adaptor NAX 77D clamp to 7-16 female

- compact design
- low VSWR
- for indoor application



<b>Part number</b>	<b>BN B1 82 63</b>
Connector type	NAX 77D clamp (size 3 1/8") to 7-16 female
Impedance	50 Ω
Frequency range	0 - 862 MHz
VSWR	<1.02
Material and surface	
Inner conductor	copper alloy, silver-plated
Outer conductor	copper alloy, silver-plated, aluminum
Clamp	steel, zinc-plated
Insulation	PTFE
Standards	EN 122190, IEC 61169-4
Dimensions (L x W x H) mm	ca. 103 x 103 x 111
Ambient temperature	-10 °C ≤ θ ≤ +55 °C
Weight	approx. 1.50 kg
Environmental conditions	For limitations see "Environmental Conditions for Broadcast Products" TD-00060