

## Rigid Line Components 4 1/2" SMS

- Outer conductor system aluminium/aluminium alloy
- Quick and simple assembly
- No special tools required
- PTFE insulation
- For indoor application

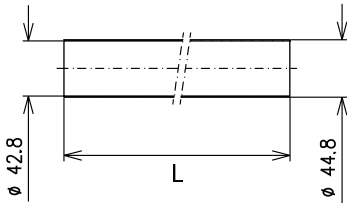
### Components

	Length	Weight	Part Number
Inner conductor tube (copper)	L = 2 m L = 4 m	2.50 kg 5.00 kg	<b>BN A02421</b> <b>BN K26291C0004</b>
Outer conductor tube (aluminium)	L = 2 m L = 4 m	2.70 kg 5.40 kg	<b>BN A02423</b> <b>BN K20203C0004</b>
Inner support		0.60 kg	<b>BN 648602</b>
Adapter SMS clamp to 4 1/2" EIA (339 IEC 50-105)		0.93 kg	<b>BN 532766</b>
Coupling element for 4 1/2" EIA (339 IEC 50-105) incl. screw set		1.07 kg	<b>BN 822810</b>
Rigid line splice		2.02 kg	<b>BN 532763</b>
90° Elbow		3.72 kg	<b>BN 532761</b>

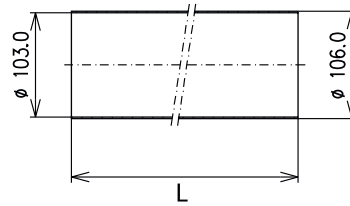
### Electrical Data

Impedance		50 Ω
Cut off frequency for H11-Mode		1.2 GHz
Proof voltage at sea level (NN)		19.0 kV
Frequency range		$0 \leq f \leq 1.0$ GHz
Average power at +40 °C ambient temperature	100 MHz 230 MHz 860 MHz	$\leq 106.0$ kW $\leq 70.0$ kW $\leq 37.0$ kW
Attenuation at +20 °C ambient temperature (dB/100m)	100 MHz 230 MHz 860 MHz	0.28 0.42 0.82
Installation instruction		M 36126

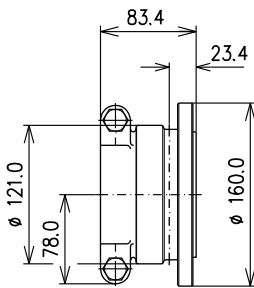
## Rigid Line Components 4 1/2" SMS



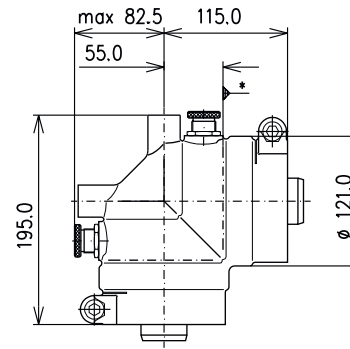
Inner conductor tube  
BN A02421; BN K26291



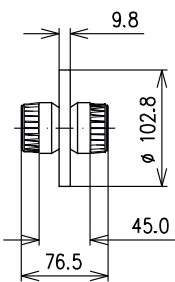
Outer conductor tube (not painted)  
BN A02423; BN K20203



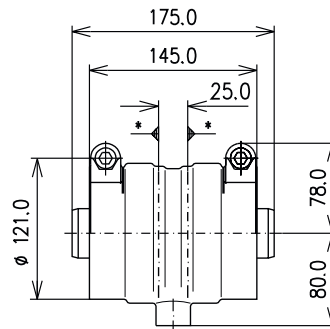
Adapter SMS clamp to 4 1/2" EIA<sup>1</sup>  
BN 532766



90° Elbow with adjustment screws  
BN 532761



Inner support  
BN 648602



Rigid line splice  
BN 532763

Length of rigid line L	Number inner supports required
2.5 m ≤ L ≤ 4.0 m	1

<sup>1</sup> 339 IEC 50-105

\* Reference plane