

Installation guide for In-Building panel antennas

1 Introduction and safety advice

This instruction shall provide information how to install the antenna with mounting kits.

All shown tasks are intended to be carried out by qualified personnel only. Safety rules apply (e.g. for working with heavy loads, radio frequency power signals or tools). In order to prevent damage to equipment and humans, make sure that no RF power is present at the combiner during installation.

Please note that satisfactory performance of the system (especially in terms of inter-modulation) can only be achieved if all jumper cables and connectors are handled properly. Please make sure that all connectors are clean and free from metal, dust or dirt. Avoid sharp bending of the connecting jumper cables.

After carrying out all described steps, the antenna is ready for use. Make sure that the specified environmental conditions for operation are not exceeded.

SPINNER does not guarantee for any faults or damage resulting from improper installation.

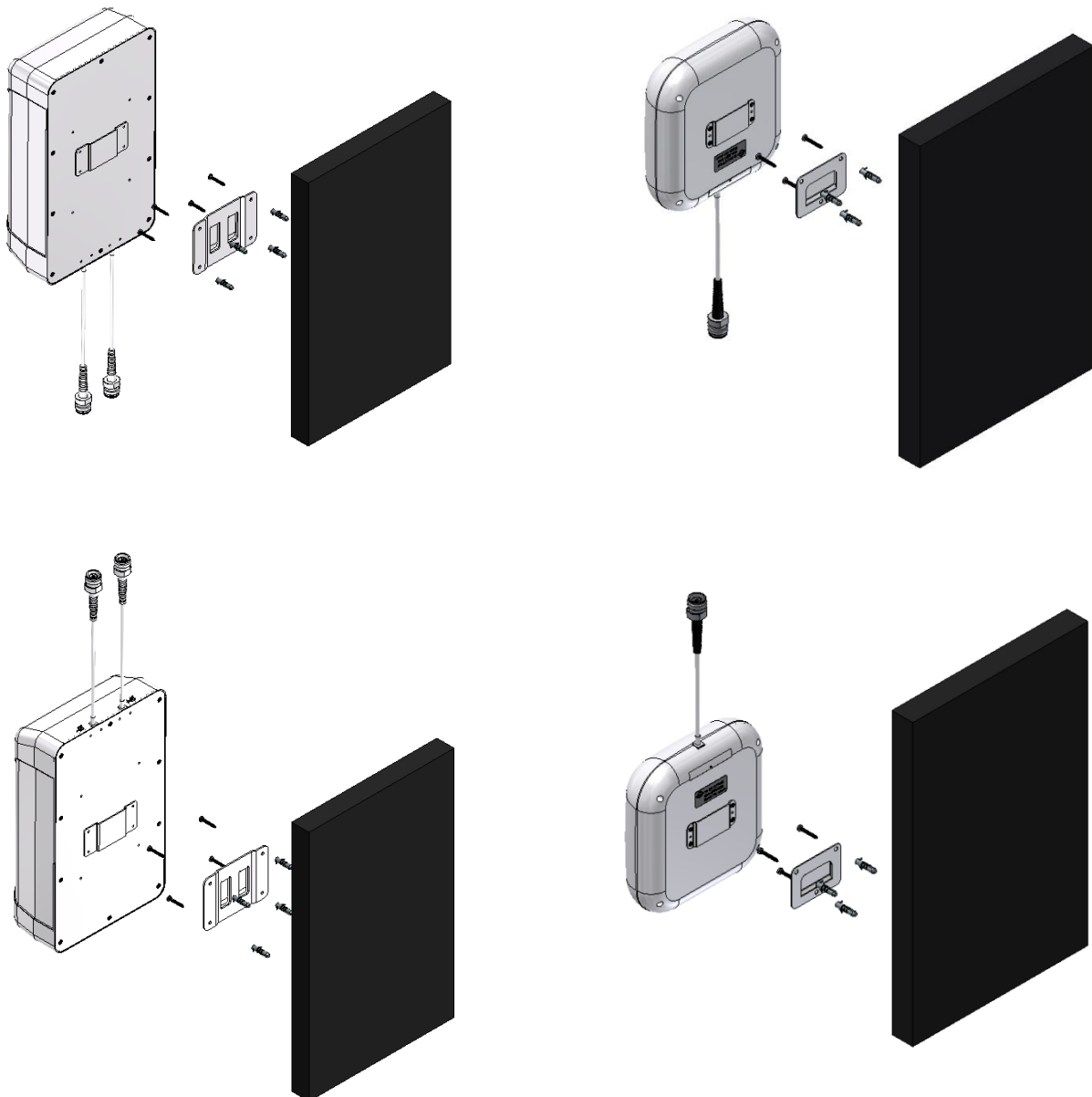
2 Installation

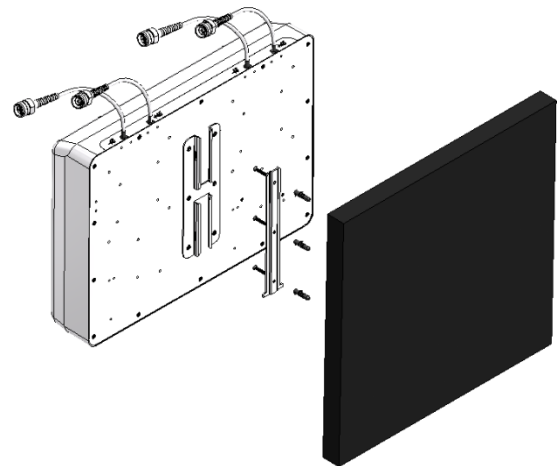
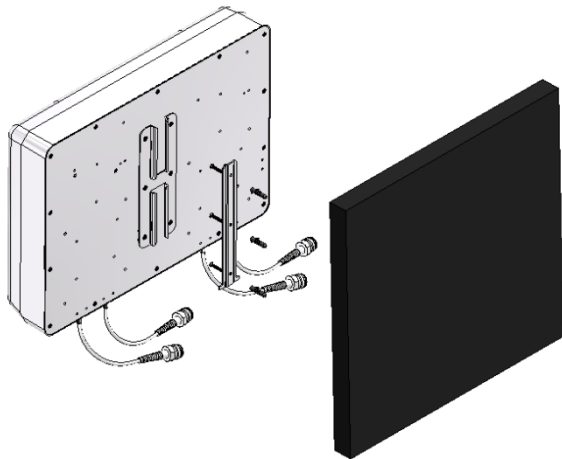
2.1 Install the antenna:

Drill 3 resp. 4 holes with 6 mm diameter in the wall and put the plastic dowls into the wall. Lock the mounting plate with tightening screws (M4*25 mm) on the wall. Then hang the antenna back plate onto the wall with mounting plate (see below).

Note: It is also possible to install the antenna “upside down” (180° turned), that the cables exit on top.

The method is applicable for antennas A77136C0002, A77138, A77138C0001, A77139, A77140, A77140C0001, A77149C0002, A77676 and A77696.

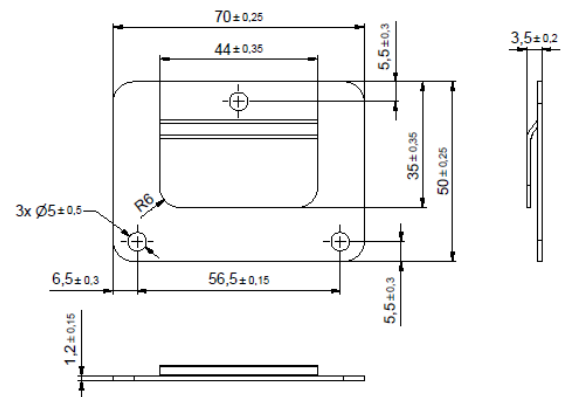
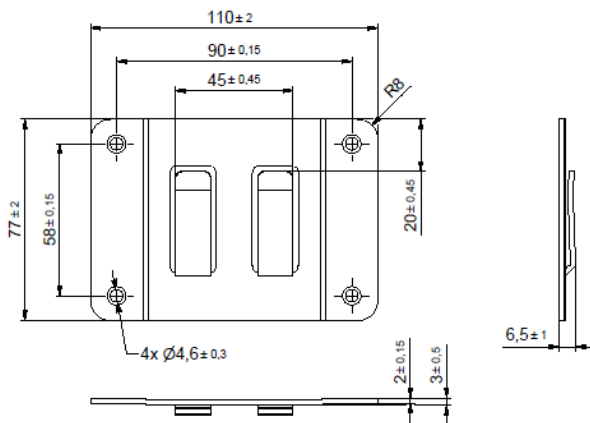




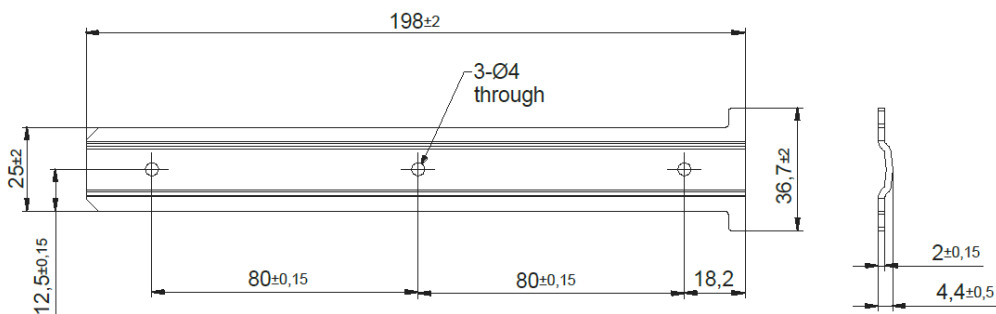
Dimensions of wall mounting plates:

For A77136C0002, A77138, A77138C0001, A77139 and A77149C0002

For A77140, A77140C0001

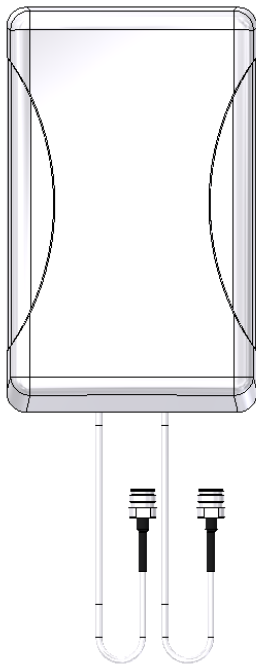


For A77676, A77696



2.2 Warning:

Please respect the cable bending radius of minimum 40mm.



$\varnothing \geq 40\text{mm}$

