

ARTICULATED LINE || BN 533626Cxxxx



Version plug / plug

Versions:

- plug / plug
- plug / socket
- socket / socket

Radio frequency characteristics of articulated line

Interface type	N per IEC 61169-16
Frequency range	DC to 18 GHz
Impedance	50 Ω
Return loss, min.	26 dB @ DC to 4 GHz 20 dB @ 4 to 12 GHz 15 dB @ 12 to 18 GHz
Phase stability of S_{11} and/or S_{22} (at any movement)	± 1.9 deg. @ DC to 18 GHz
Amplitude stability of S_{11} and/or S_{22} (at any movement)	± 0.07 dB @ DC to 18 GHz
Phase stability of S_{12} and/or S_{21} (at any movement)	± 0.5 deg. @ DC to 18 GHz
Amplitude stability of S_{12} and/or S_{21} (at any movement)	± 0.05 dB @ DC to 18 GHz
Insertion loss, max.	1.7 dB @ DC to 18 GHz
Power rating, max.	2.5 W

ARTICULATED LINE || BN 533626Cxxxx

Radio frequency characteristics of port saver

Interface type	N plug / socket per IEC 60169-16
Frequency range	DC to 18 GHz
Impedance	50 Ω
Return loss, min.	38 dB @ DC to 4 GHz 34 dB @ 4 to 8 GHz 28 dB @ 8 to 18 GHz

General mechanical data

Center conductor material / surface finish	CuBe age hardened, CuBe, copper alloy / gold-plated
Outer conductor material / surface finish	CuBe age hardened, CuBe, copper alloy / gold-plated
Insulation	cross linked polystyrene, PMP
Other metallic parts / surface finish	CuBe / CuSnZn-plated copper alloy / gold-plated copper alloy / nickel-plated stainless steel
Typical flex cycles	1.000.000
Weight articulated line, approx.	0.2 kg
Weight port saver, approx.	0.09 kg

General environmental conditions

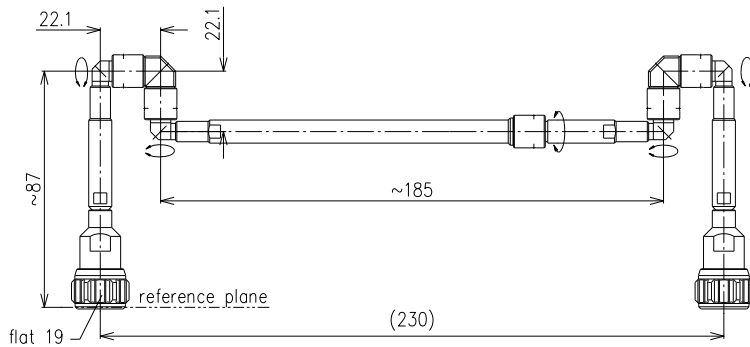
Temperature range	-55 to +85°C
Relative humidity, max.	95% (non condensing)

Scope of delivery and accessories

Scope of delivery	storage case, data sheet, handling instructions available configurations see Table 1)
-------------------	--

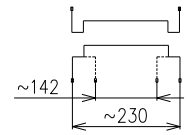
ARTICULATED LINE || BN 533626Cxxxx

Outline (all dimensions in millimeter)

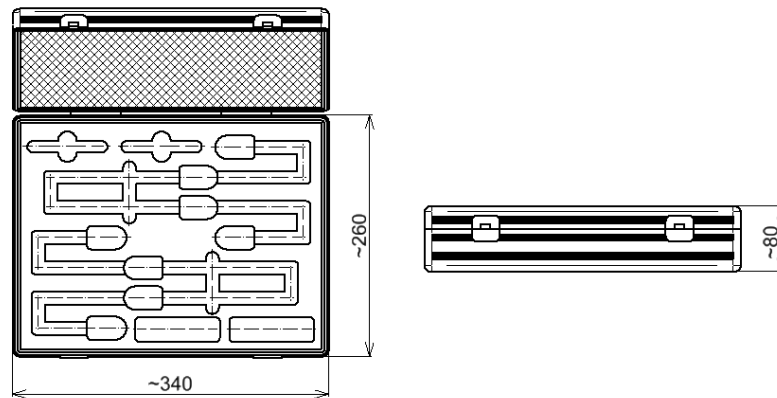
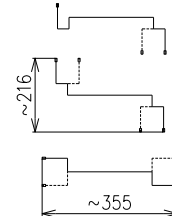


possible variations of mechanical alignment

min. and max. dimension between centre lines



max. reachable length from reference plane to reference plane



Available configurations:

Table 1)

Connector size	Line 1 gender combination	Line 2 gender combination	Port Saver 1 gender combination	Port Saver 2 gender combination	Order number
N	(m)/(m)	-	(m)/(f)	-	533626C1010
N	(m)/(m)	(m)/(m)	(m)/(f)	(m)/(f)	533626C1111
N	(m)/(f)	-	(m)/(f)	-	533626C2010
N	(m)/(f)	(m)/(f)	(m)/(f)	(m)/(f)	533626C2211
N	(f)/(f)	-	(m)/(f)	-	533626C3010
N	(f)/(f)	(f)/(f)	(m)/(f)	(m)/(f)	533626C3311