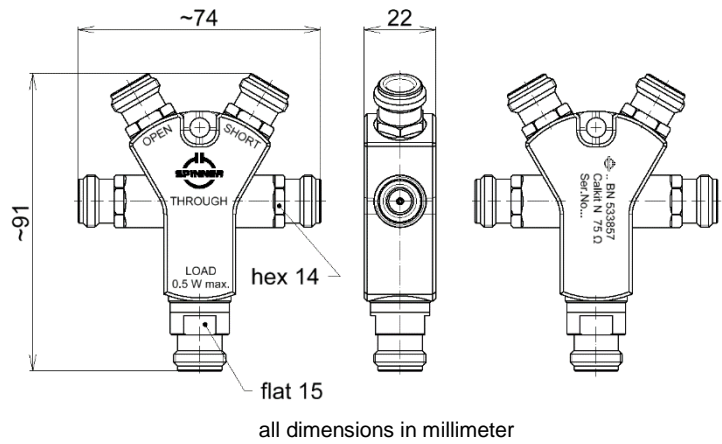


OSLT Compact Calibration Kit (4-in-1) || BN 533857R000



Radio frequency characteristics

Interface type		N socket (75 ohms) per IEC 61169-16
Frequency range		DC to 3 GHz
THROUGH	Return loss, min.	34 dB @ DC to 3 GHz
	Insertion loss, max.	0.05 dB @ DC to 3 GHz
OPEN	Phase deviation, max.	2 deg. @ DC to 3 GHz
SHORT	Phase deviation, max.	1.5 deg. @ DC to 3 GHz
LOAD	DC-resistance	75 Ω ± 0.75 Ω
	Return loss, min.	36 dB @ DC to 3 GHz
	Power rating, max.	0.5 W

Calibration data

Format		Keysight / Anritsu	Rohde & Schwarz
THROUGH	Electrical delay / length	242.001 ps	72.55 mm
OPEN	C0	-3.576 x 10 ⁻¹⁵ F	-3.576 fF
	C1	-1226 x 10 ⁻²⁷ F/Hz	-1.226 fF/GHz
	C2	1312 x 10 ⁻³⁶ F/Hz ²	1.312 fF/(GHz) ²
	C3	-186.5 x 10 ⁻⁴⁵ F/Hz ³	-0.1865 fF/(GHz) ³
	Offset	38.393 ps	11.51 mm
SHORT	L0	46.67 x 10 ⁻¹² H	46.67 pH
	L1	-13100 x 10 ⁻²⁴ H/Hz	-13.1 pH/GHz
	L2	-1093 x 10 ⁻³³ H/Hz ²	-1.093 pH/(GHz) ²
	L3	398.6 x 10 ⁻⁴² H/Hz ³	0.3986 pH/(GHz) ³
	Offset	53.57 ps	16.06 mm

OSLT Compact Calibration Kit (4-in-1) || BN 533857R000

Mechanical characteristics

Center conductor material / surface finish	CuBe age hardened, copper alloy / gold-plated
Outer conductor material / surface finish	copper alloy / CuSnZn-plated
Insulation	cross linked polystyrene, PTFE
Other metallic parts / surface finish	copper alloy / CuSnZn-plated aluminium / anodised (yellow)
Weight, approx.	0.25 kg
Marking	laser engraving

Environmental conditions

Operation	
Ambient temperature range	-10 to +55°C
Storage	
Ambient temperature range	-40 to +70°C (in line with EN 60068-2-1 and EN 60068-2-2)

Scope of delivery and accessories

Scope of delivery	certificate of calibration, protective caps, protective bag, data sheet, handling instructions
-------------------	--