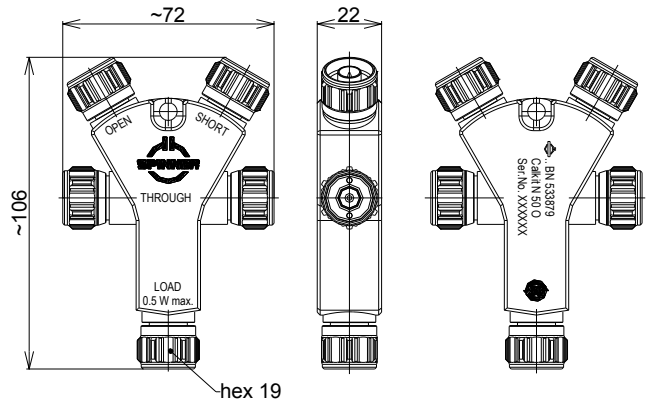


OSLT Compact Calibration Kit (4-in-1) || BN 533879



all dimensions in millimeter

Radio frequency characteristics

Interface type		N plug per IEC 61169-16
Frequency range		DC to 18 GHz
THROUGH	Return loss, min.	38 dB @ DC to 4 GHz 34 dB @ 4 to 8 GHz 28 dB @ 8 to 18 GHz
	Insertion loss, max.	$0.035 \text{ dB} \times \sqrt{f \text{ (GHz)}}$
OPEN	Phase deviation, max.	2.0 deg. @ DC to 6 GHz 3.0 deg. @ 6 to 9 GHz 4.0 deg. @ 9 to 18 GHz
SHORT	Phase deviation, max.	1.5 deg. @ DC to 6 GHz 2.5 deg. @ 6 to 9 GHz 3.0 deg. @ 9 to 18 GHz
LOAD	DC-resistance	$(50 \pm 0.5) \Omega$
	Return loss, min.	42 dB @ DC to 6 GHz 35 dB @ 6 to 9 GHz 32 dB @ 9 to 18 GHz
	Power rating, max.	0.5 W

OSLT Compact Calibration Kit (4-in-1) || BN 533879

**Calibration Data**

Format		Agilent / Anritsu	Rohde & Schwarz
THROUGH	Electrical delay / length	245.383 ps	73.56 mm
OPEN	C0	$8.471 \times 10^{-15} \text{ F}$	8.471 fF
	C1	$-2513 \times 10^{-27} \text{ F/Hz}$	-2.513 fF/GHz
	C2	$171.3 \times 10^{-36} \text{ F/Hz}^2$	$0.1713 \text{ fF}/(\text{GHz})^2$
	C3	$-1.47 \times 10^{-45} \text{ F/Hz}^3$	$-0.00147 \text{ fF}/(\text{GHz})^3$
	Offset	85.954 ps	25.77 mm
SHORT	L0	$41.01 \times 10^{-12} \text{ H}$	41.01 pH
	L1	$-13740 \times 10^{-24} \text{ H/Hz}$	-13.74 pH/GHz
	L2	$1386 \times 10^{-33} \text{ H/Hz}^2$	$1.386 \text{ pH}/(\text{GHz})^2$
	L3	$-41.56 \times 10^{-42} \text{ H/Hz}^3$	$-0.04156 \text{ pH}/(\text{GHz})^3$
	Offset	86.021 ps	25.79 mm

**General mechanical data**

Center conductor material / surface finish	CuBe age hardened, copper alloy / gold-plated
Outer conductor material / surface finish	copper alloy / gold-plated
Insulation	cross linked polystyrene, PMP
Other metallic parts / surface finish	aluminium / anodised (blue) copper alloy / CuSnZn-plated
Weight, approx.	0.25 kg
Marking	laser engraving

Component Name	Toxic or Hazardous Substances and Elements					
	Pb	Hg	Cd	Cr 6+	PBB	PBDE
Metal parts	X	O	O	O	O	O

The environmental protection use period of 50 years is valid, if the product is used as intended.

**General environmental conditions**

<b>Operation</b>	
Ambient temperature range	+18 to +28°C
<b>Permissible temperature</b>	
Ambient temperature range	+5 to +40°C
<b>Storage</b>	
Ambient temperature range	-40 to +75°C (in line with EN 60068-2-1 and EN 60068-2-2)

**Scope of delivery and accessories**

Scope of delivery	calibration certificate, protective caps, protective bag, data sheet, handling instructions
-------------------	---