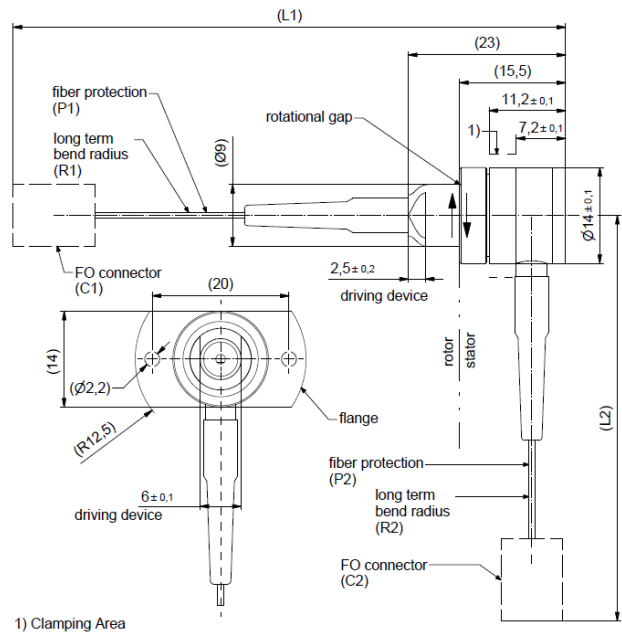
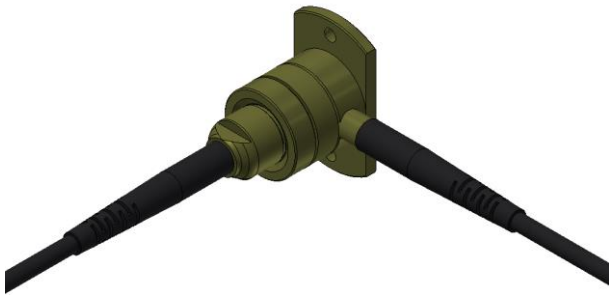


Rotary Joint || BN 549391C0107



1) Clamping Area

all dimensions in millimeter

Fiber optic channel characteristics

Channels	1 CH	
Channel designation	1	
Fiber type	Singlemode E9 / 125 µm	
Side	Rotor	Stator
FO connector (C1 / C2)	ST-UPC	ST-UPC
Fiber protection (P1 / P2)	cable 3 mm	cable 3 mm
Fiber length (L1 / L2)	500 ± 50 mm	500 ± 50 mm
Long term bend radius, min. (R1 / R2)	60 mm	60 mm
Wavelength	1310 nm / 1550 nm	
Average power capability, max.	200 mW / 23 dBm	
Return loss, min. / typ.	45 dB / 50 dB	
Insertion loss, max./ typ.	3.0 dB / 2.0 dB	
Insertion loss variation over rotation, max.	1.0 dB	

Rotary Joint || BN 549391C0107

**Mechanical characteristics**

Rotating speed rotor, max.	10000 rpm
Rotating speed stator, max.	150 rpm
Life, min.	200 x 10 <sup>6</sup> revolutions
Torque (room temperature), max.	0.06 Nm @ rotation
Interface loads, max.	no loads allowed*
Case material	copper alloy, corrosion resistant
Case surface finish	no finish
IP protection level	IP54 per EN 60529 (all interfaces connected with appropriate gaskets)
Weight, approx.	0.06 kg
Marking	laser engraving (BGB logo)

\* mounting situation crucial

**Environmental conditions**

<b>Operation</b>	
Ambient temperature range	room temperature (passive cooling) **
<b>Storage</b>	
Ambient temperature range	-40 °C to +71 °C
Relative humidity, max.	95% (non-condensing)

\*\* wider temperature range possible with appropriate temperature stabilization system

**Applicable documents**

Technical information	"Rotary Joints – Glossary", Technical Document TD-00021, Spinner GmbH
-----------------------	---