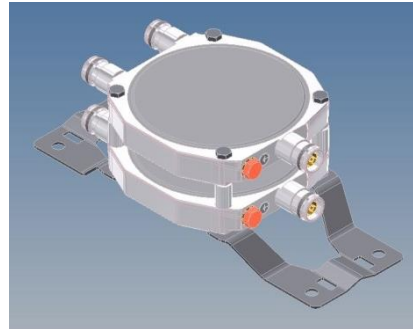


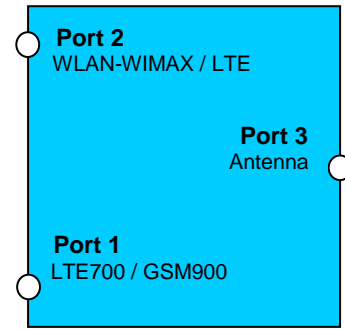
Diplexer LTE700-GSM900 / WLAN-WiMAX-LTE



Single Unit



Double Unit

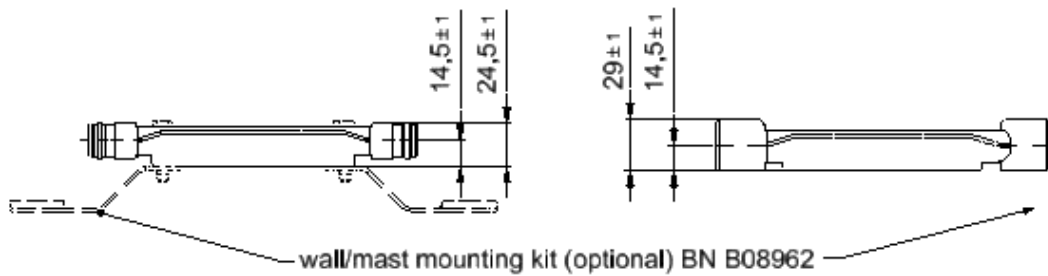


Block Diagram

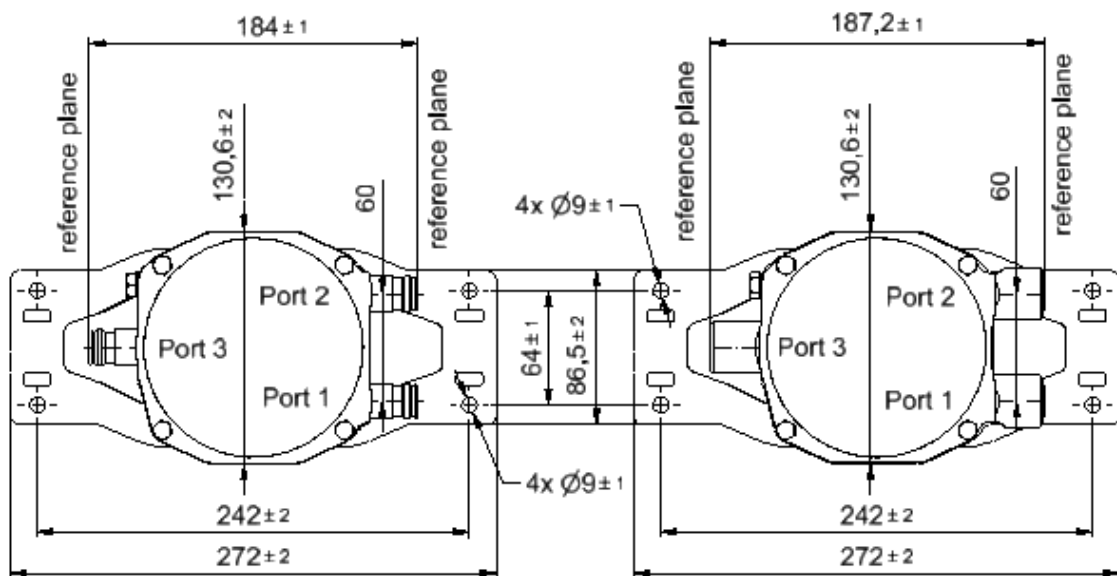
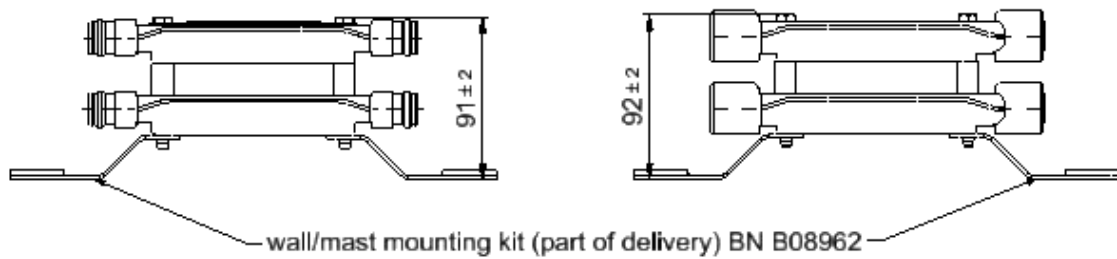
Part number	BN 572648	BN 572649	BN 572650	BN 572651	BN 573623	BN 573624	BN 572623	BN 572624
Version	single		double		single		double	
Connectors	4.3-10 female (50 ohms)				7-16 female (50 ohms)			
Frequency range	Port 1		694 – 960 MHz (LTE700 / GSM900)		Port 2		2400 – 2690 MHz (WLAN / WiMAX / LTE)	
	Port 2		common		Port 3			
	Port 3							
Insertion loss	Port 1 → Port 3		≤ 0.12 dB typical 0.1 dB		Port 2 → Port 3		≤ 0.15 dB typical 0.12 dB	
Isolation	Port 1 ↔ Port 2		≥ 50 dB		Port 2 ↔ Port 1		≥ 60 dB	
VSWR	Port 2 ↔ Port 3		≤ 1.2					
Power rating	Port 1		≤ 400 W CW		Port 2		≤ 200 W CW	
	Port 2 ↔ Port 3		x		x		x	
DC-by-pass	All ports		x		x		x	
			max. 5 A per input max. 60V DC (AISG Standard, 2.0, §6.4)					
Intermodulation products 3rd order @ 2 x 20 W			≤ -165 dBc typical: ≤ -170 dBc					
Degree of protection mated / 1bar, 1h, ≤18°C			IP 68					
Environmental conditions			ETSI EN 300019-1-1 Class 1.2					
			ETSI EN 300019-1-2 Class 2.3					
			ETSI EN 300019-1-4 Class 4.1E					
Temperature range			-40°C – +85°C					
Weight	0.7 kg		1.65 kg		0.80 kg		1.87 kg	
Wall / Mast mounting – single unit			to be ordered separately under BN B08962					
Wall / Mast mounting – double unit			part of delivery					

Dimensions:

Single Unit



Double Unit



Standards:

4,3-10 female (50 ohms): IEC 61169-54

7-16 female (50 ohms): IEC 61169-4

Modifications reserved!

Measurements:

