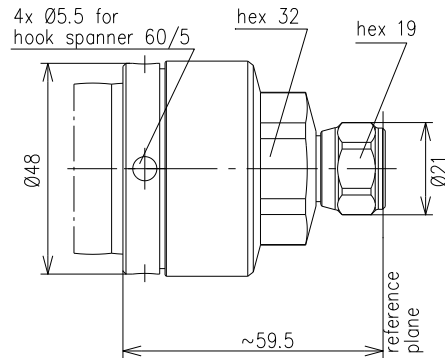


Cable Plug for LF 1 1/4"-50, Type N || BN 706420



all dimensions in millimeter

SPINNER GmbH
 This document is proprietary to us.
 All rights reserved. Any use, transfer, or reproduction of this document
 or the know-how contained therein requires our express consent.

| | | |
|--|---|--|
| Interface type | N plug (50 Ω) per IEC 61169-16 | |
| Version | MultiFit | |
| Frequency range | DC to 3.3 GHz | |
| VSWR, max. / typ. | 1.02 @ DC to 1.0 GHz 1.03 @ 1.0 to 2.2 GHz 1.06 @ 2.2 to 2.7 GHz 1.08 @ 2.7 to 3.3 GHz | |
| Inner conductor material / surface finish | copper alloy / silver plated | |
| Outer conductor material / surface finish | copper alloy / CuSnZn plated | |
| Other metal parts / surface finish | copper alloy / Sn plated copper alloy / CuSnZn plated copper alloy / nickel plated | |
| Insulation | PTFE | |
| Sealing | silicone rubber | |
| IP protection level | IP68 per EN 60529 (barrier and mating face sealed) | |
| Cable compatibility | SPINNER Acome Andrew Draka Eupen Hansen Leoni LS Cable RFS | SPINNERFlex™ LF 1 1/4"-50 HPL50-1 1/4 F LDF6-50, AVA6-50 RFA 1 1/4"-50 EC6-50-A RF 50 1 1/4" FlexLine 1 1/4" R Low Loss, FlexLine 1 1/4" R LHF 33D Low Loss, HFC 33D Flexible Foam LCFS 114-50 A, LCFS 114-50 L, UCF 114-50 A, UCF 114-50 L |
| Installation instructions / Product manual | M32127 | |
| Weight, approx. | 255 g | |
| Scope of delivery | installation instructions | |