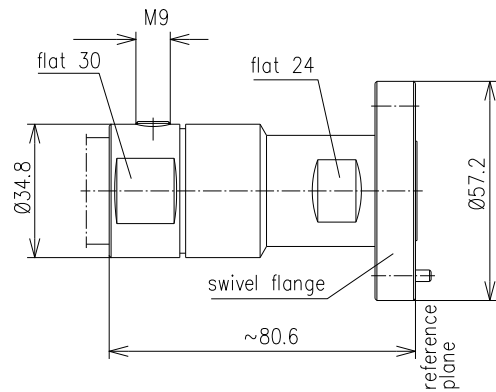


CABLE PLUG FOR LF 7/8"-50-TYPE 7/8" EIA



Part number	BN 71 55 58		
Connector type	7/8" EIA		
Version	CAF®		
Impedance	50 Ω		
Frequency range	0 - 1 GHz	1 - 2.7 GHz	2.7 - 3.8 GHz
VSWR	≤ 1.02	≤ 1.04	≤ 1.06
Material and surface			
Inner conductor	copper alloy	silver-plated	
Outer conductor	copper alloy	silver-plated	
Other metal parts	copper alloy stainless steel	bright nickel-plated	
Insulation	PTFE		
Sealing	silicone rubber, PLAST 2000®		
Degree of protection	IP68 (mated)		
Cable compatibility	RFS	LCF 78-50A, UCF 78-50A	
Standards	IEC 60339		
Installation instructions	M30794		
Weight	approx. 0.4 kg		
Included in delivery	protective cap, cover, installation instructions		