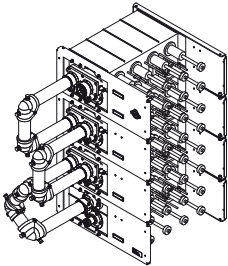
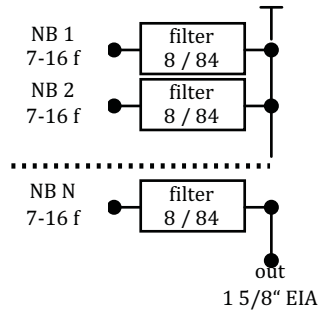


UHF MANIFOLD COMBINERS

- compact design as 19" slide-in unit
- integrated mask filters for DTV
- applicable within the whole UHF range
- for 6, 7 and 8 MHz channel bandwidth
- temperature compensated



Typical design



Mehrsenderweichen
 Multi-Channel Combiners

Part number	BN 57 49 22 C0003	BN 57 49 23 C0003	BN 57 49 24 C0003	BN 57 49 21 C0003
Frequency range	470 - 860 MHz			
Channel spacing	≥ 1			
Narrow band inputs	7-16 female			
Filter type integrated cavities/size	8/84 ≡ BN 616403			
Temperature stability	≤ 2 kHz / K			
Harmonics attenuation	≥ 50 dB for f ≤ 950 MHz			
Average input power / channel width	750 W per input / 8 MHz 675 W per input / 7 MHz 600 W per input / 6 MHz			
Number of inputs	2	3	4	5
DVB-T @ 8 MHz ($\dot{U}/U_{rms} = 13$ dB)	$f_0 \leq 0.6 - 0.75$ dB $f_0 \pm 3.805 \leq 1.8 - 2.2$ dB $f_0 \pm 3.885 \leq 2.1 - 2.6$ dB	$f_0 \leq 0.6 - 0.9$ dB $f_0 \pm 3.805 \leq 1.8 - 2.3$ dB $f_0 \pm 3.885 \leq 2.1 - 2.7$ dB	$f_0 \leq 0.6 - 1.0$ dB $f_0 \pm 3.805 \leq 1.8 - 2.4$ dB $f_0 \pm 3.885 \leq 2.1 - 2.8$ dB	$f_0 \leq 0.6 - 1.1$ dB $f_0 \pm 3.805 \leq 1.8 - 2.5$ dB $f_0 \pm 3.885 \leq 2.1 - 2.9$ dB
AS8068 Insertion loss & Mask filtering	$f_0 \pm 4.2 \geq 15$ dB $f_0 \pm 6 \geq 40$ dB $f_0 \pm 12 \geq 55$ dB	$f_0 \pm 4.2 \geq 15$ dB $f_0 \pm 6 \geq 40$ dB $f_0 \pm 12 \geq 55$ dB	$f_0 \pm 4.2 \geq 15$ dB $f_0 \pm 6 \geq 40$ dB $f_0 \pm 12 \geq 55$ dB	$f_0 \pm 4.2 \geq 15$ dB $f_0 \pm 6 \geq 40$ dB $f_0 \pm 12 \geq 55$ dB
Group delay variation	$\Delta\tau \leq 600$ ns			
ISDB-T @ 6 MHz ($\dot{U}/U_{rms} = 13$ dB)	$f_0 0.7 - 1.3$ dB $f_0 \pm 2.79 1.8 - 3.1$ dB $f_0 \pm 3.15 \geq 15$ dB $f_0 \pm 4.5 \geq 30$ dB $f_0 \pm 9 \geq 55$ dB	$f_0 0.7 - 1.4$ dB $f_0 \pm 2.79 1.8 - 3.2$ dB $f_0 \pm 3.15 \geq 15$ dB $f_0 \pm 4.5 \geq 30$ dB $f_0 \pm 9 \geq 55$ dB	$f_0 0.7 - 1.5$ dB $f_0 \pm 2.79 1.8 - 3.3$ dB $f_0 \pm 3.15 \geq 15$ dB $f_0 \pm 4.5 \geq 30$ dB $f_0 \pm 9 \geq 55$ dB	$f_0 0.7 - 1.6$ dB $f_0 \pm 2.79 1.8 - 3.4$ dB $f_0 \pm 3.15 \geq 15$ dB $f_0 \pm 4.5 \geq 30$ dB $f_0 \pm 9 \geq 55$ dB
AS8091 Insertion loss & Mask filtering	$f_0 \pm 4.5 \geq 30$ dB $f_0 \pm 9 \geq 55$ dB	$f_0 \pm 4.5 \geq 30$ dB $f_0 \pm 9 \geq 55$ dB	$f_0 \pm 4.5 \geq 30$ dB $f_0 \pm 9 \geq 55$ dB	$f_0 \pm 4.5 \geq 30$ dB $f_0 \pm 9 \geq 55$ dB
Group delay variation	$\Delta\tau \leq 500$ ns			
ATSC @ 6 MHz ($\dot{U}/U_{rms} = 11$ dB)	$f_0 \leq 0.9 - 1.3$ dB $f_0 \pm 2.69 \leq 1.9 - 2.7$ dB $f_0 \pm 3 \geq 3$ dB $f_0 \pm 3.25 \geq 18$ dB $f_0 \pm 9 \geq 64$ dB	$f_0 \leq 0.9 - 1.4$ dB $f_0 \pm 2.69 \leq 1.9 - 2.8$ dB $f_0 \pm 3 \geq 3$ dB $f_0 \pm 3.25 \geq 18$ dB $f_0 \pm 9 \geq 64$ dB	$f_0 \leq 0.9 - 1.5$ dB $f_0 \pm 2.69 \leq 1.9 - 2.9$ dB $f_0 \pm 3 \geq 3$ dB $f_0 \pm 3.25 \geq 18$ dB $f_0 \pm 9 \geq 64$ dB	$f_0 \leq 0.9 - 1.6$ dB $f_0 \pm 2.69 \leq 1.9 - 3.0$ dB $f_0 \pm 3 \geq 3$ dB $f_0 \pm 3.25 \geq 18$ dB $f_0 \pm 9 \geq 64$ dB
AS8051 Insertion loss & Mask filtering	$f_0 \pm 3.25 \geq 18$ dB $f_0 \pm 9 \geq 64$ dB	$f_0 \pm 3.25 \geq 18$ dB $f_0 \pm 9 \geq 64$ dB	$f_0 \pm 3.25 \geq 18$ dB $f_0 \pm 9 \geq 64$ dB	$f_0 \pm 3.25 \geq 18$ dB $f_0 \pm 9 \geq 64$ dB
Group delay variation	$\Delta\tau \leq 400$ ns			
Output	1 5/8" EIA			
Isolation between inputs	≥ 35 dB			
VSWR	≤ 1.17			
Dimensions (L x W x H) mm	720 x 483 x 354 (8RU)	720 x 483 x 532 (12RU)	720 x 483 x 809 (16RU)	720 x 483 x 888 (20RU)
Weight	~ 34 kg	~ 51 kg	~ 68 kg	~ 85 kg
Environmental conditions	for limitations see „Environmental Conditions for Broadcast Products“			