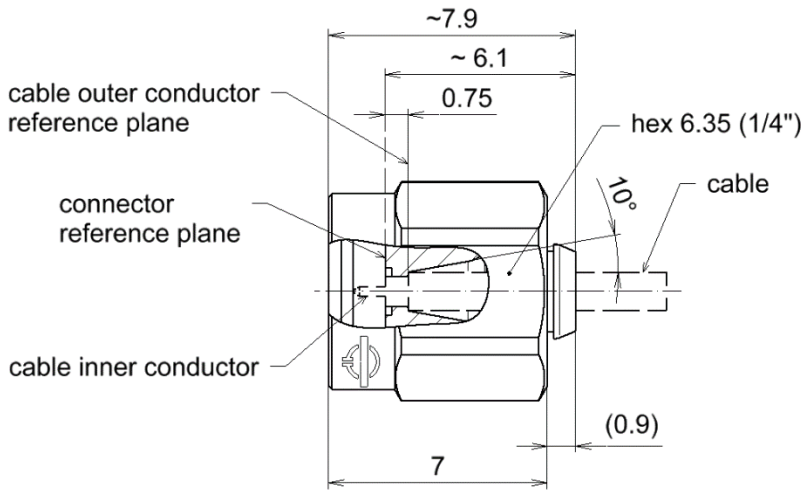


Type 1.35 mm Plug for cable UT-047 || BN 534942C0002



all dimensions in millimeter

Radio frequency characteristics

Interface type	1.35 mm plug per IEEE Std 287
Frequency range	DC to 90 GHz
Impedance	50 Ω
Return loss, min.	17 dB @ DC to 90 GHz

Mechanical characteristics

Outer conductor material / surface finish	copper alloy / gold-plated
Coupling nut / surface finish	copper alloy / CuSnZn-plated
Version	solder
Cable compatibility	UT-047
Mechanically compatible with cable	Outer conductor: dia. 1.19 +/- 0.03 mm, Dielectric: dia. max. 0.945

Scope of delivery and accessories

installation instructions	M36494
---------------------------	--------

SPINNER GmbH
 This document is proprietary to us.
 All rights reserved. Any use, transfer, or reproduction of this document
 or the know-how contained therein requires our express consent.