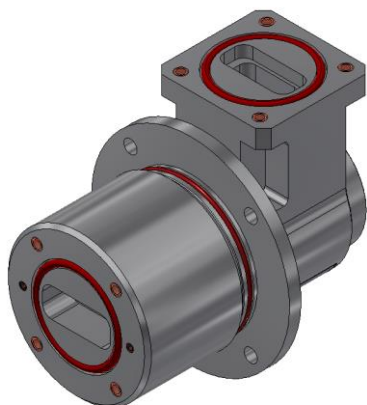


Rotary Joint | BN 635760



Radio frequency characteristics

Interface type / material / surface finish	per CBR 84 square flange with 4x M4 (HeliCoil insert M4x0,7 / 1,5d) per CBR 84 circular flange with 4x M4 (HeliCoil insert M4x0,7 / 1,5d) aluminum alloy / chromated
Frequency range	8.5 to 10.0 GHz
Peak power rating	200 kW ^{RF1)}
Average power rating	5 kW ^{RF2)}
VSWR, max. / typ.	1.3 / 1.2
VSWR variation with rotation, max.	0.05
Insertion loss, max. / typ.	0.3 dB / 0.2 dB
Insertion loss variation with rotation, max.	0.05 dB

^{RF1)} Condition: Waveguide pressurized with dry air or N₂ at absolute pressure, min. 0.3 MPa (3 bar).

^{RF2)} Condition: The waveguide flange of the rotary joint must not exceed the defined maximum ambient temperature.

Mechanical characteristics

Differential operating pressure, max. / nominal	0.3 MPa (3 bar) / 0.2 MPa (2 bar)
Leakage rate, max.	10 cm ³ / minute @ nominal differential pressure
Rotating speed, max. / nominal	60 rpm / 30 rpm
Lifetime, min.	20 x 10 ⁶ revolutions
Torque (room temperature), max.	0.6 N m @ start-up 0.7 N m @ rotation
Case material	aluminum alloy
Case surface coating	chromate conversion coat painted RAL7001 silver grey
IP protection level	IP65
Weight, approx.	0.9 kg
Marking	adhesive label

SPINNER GmbH
 This document is proprietary to us.
 All rights reserved. Any use, transfer, or reproduction of this document
 or the know-how contained therein requires our express consent.

Template TD-00015.dotx



Rotary Joint | BN 635760

Environmental conditions

Operation	
Ambient temperature range	-40 to +71°C
Relative humidity, max.	95% (non-condensing)
Storage	
Ambient temperature range	-55 to +85°C
Relative humidity, max.	95% (non-condensing)

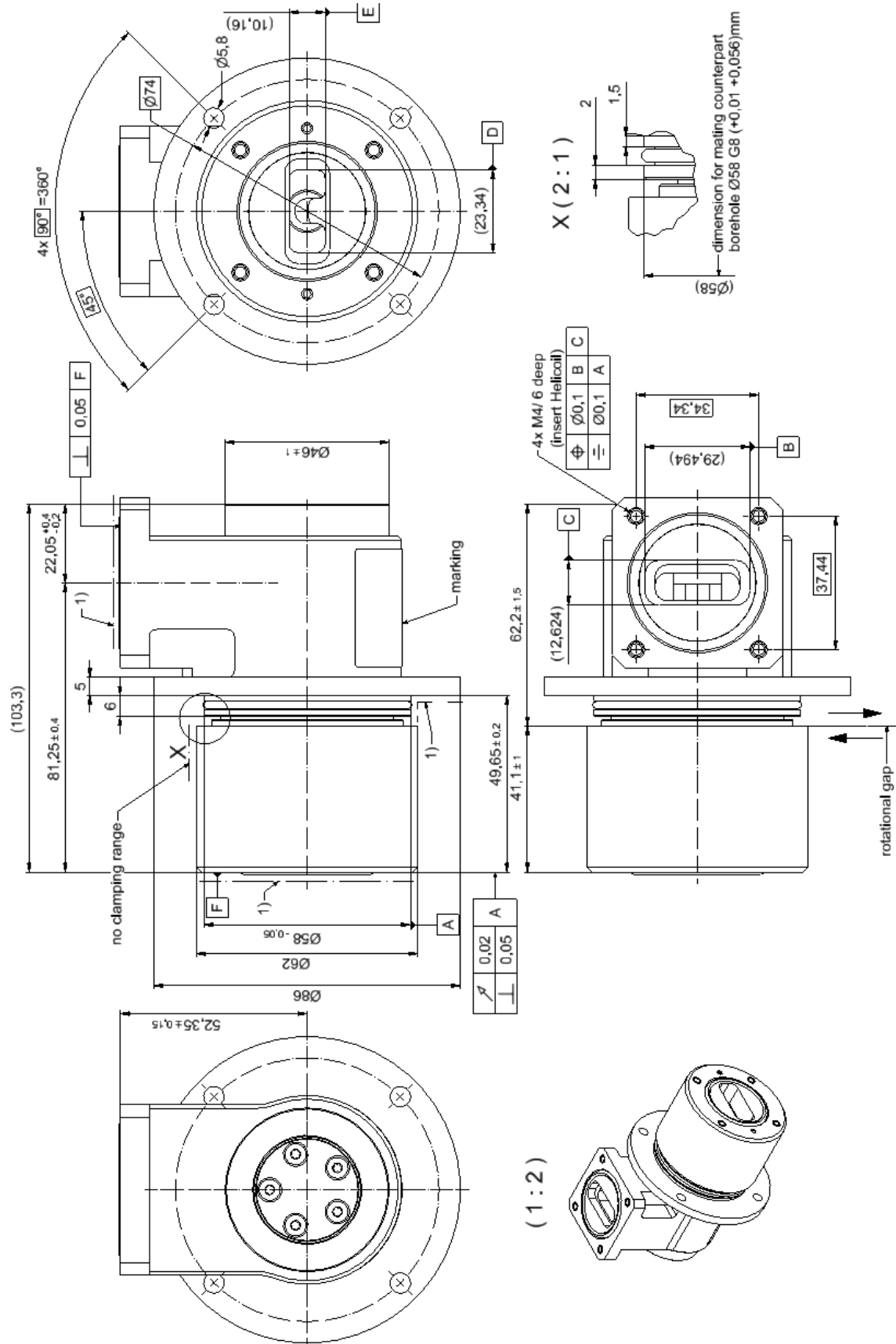
Applicable documents

Technical information	"Rotary Joints – Glossary", technical document TD-00021, Spinner GmbH
Application note	"Rotary Joints – Installation Guidelines", technical document TD-00057, Spinner GmbH

SPINNER GmbH
 This document is proprietary to us.
 All rights reserved. Any use, transfer, or reproduction of this document
 or the know-how contained therein requires our express consent.

Rotary Joint | BN 635760

Outline (all dimensions in millimeter)



- Notes:
- 1) area free of paint
 - 2) flange style according to: 154 IEC-CBR84 with threads M4
 - 3) flanges protected with caps
 - 4) waveguide with corner radii

SPINNER GmbH
 This document is proprietary to us.
 All rights reserved. Any use, transfer, or reproduction of this document
 or the know-how contained therein requires our express consent.



Rotary Joint | BN 635760

SPINNER GmbH
This document is proprietary to us.
All rights reserved. Any use, transfer, or reproduction of this document
or the know-how contained therein requires our express consent.