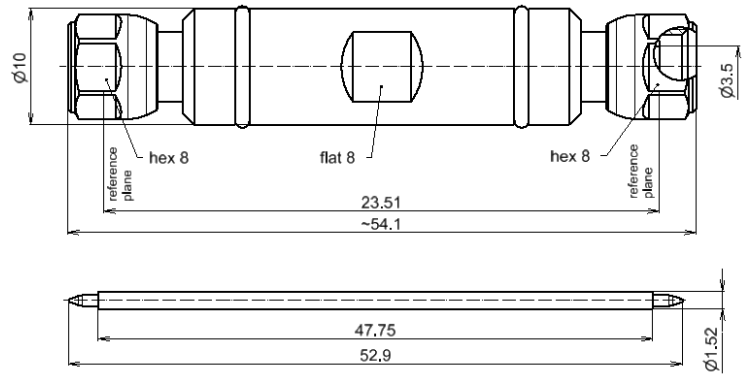


Air line 3.5 mm plug - plug, L = 47.75 mm | BN B10136



all dimensions in millimeter

**Radio frequency characteristics**

Interface type	3.5 mm plug - plug per IEC 61169-23
Frequency range	DC to 33 GHz
Impedance	50 $\Omega$ $\pm$ 0.25 $\Omega$
Length, nominal	47.75 mm

**Mechanical characteristics**

Center conductor material / surface finish	CuBe age hardened / gold-plated
Outer conductor material / surface finish	copper alloy / gold-plated
Other metallic parts / surface finish	CuBe / CuSnZn-plated
Weight, approx.	28 g

**Environmental conditions**

<b>Operation</b>	
Ambient temperature range	+18 to +28°C
<b>Storage</b>	
Ambient temperature range	-40 to +70°C
Relative humidity	95% (non-condensing)

**Scope of delivery and accessories**

Scope of delivery	transparent plastic tube
-------------------	--------------------------

SPINNER GmbH  
 This document is proprietary to us.  
 All rights reserved. Any use, transfer, or reproduction of this document  
 or the know-how contained therein requires our express consent.