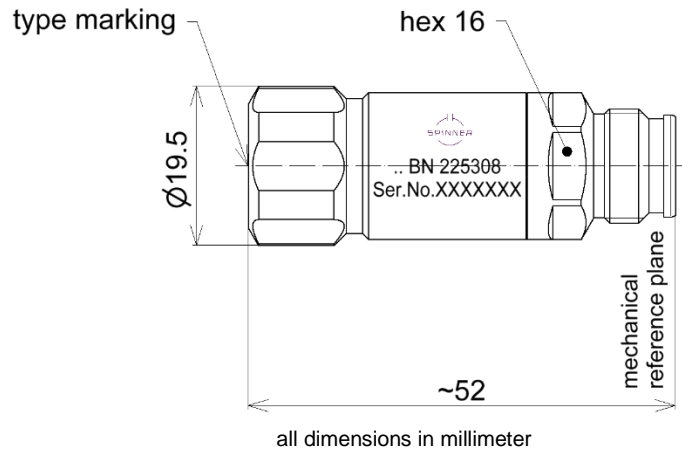


Precision Load || BN 225308R000



Radio frequency characteristics

Interface type	2.2-5 socket per IEC 46F/394/NP
Frequency range	DC to 20 GHz
Impedance	50 Ω
DC-resistance	50 Ω ± 0.5 Ω
Return loss, min.	40 dB @ DC to 4 GHz 37 dB @ 4 to 8 GHz 32 dB @ 8 to 12 GHz 30 dB @ 12 to 18 GHz 27 dB @ 18 to 20 GHz
Power rating, max.	0.5 W

Mechanical characteristics

Center conductor material / surface finish	CuBe age hardened / gold-plated
Outer conductor material / surface finish	copper alloy / gold-plated
Insulation	LCP, cross linked polystyrene
Other metallic parts / surface finish	copper alloy / nickel-plated stainless steel
Weight, approx.	0.13 kg
Marking	laser engraving

Environmental conditions

Operation	
Ambient temperature range	+18 to +28°C
Storage	
Ambient temperature range	-40 to +70°C
Relative humidity	95% (non-condensing)

Scope of delivery and accessories

Scope of delivery	certificate of calibration, handling instructions
-------------------	---