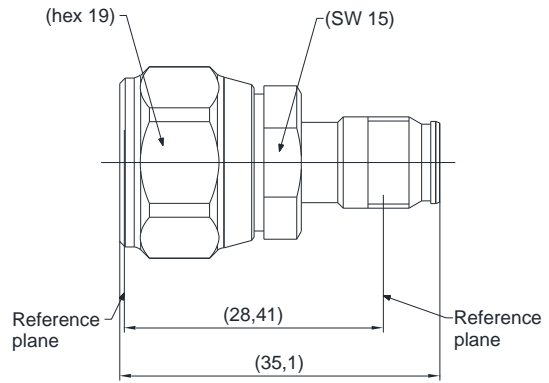
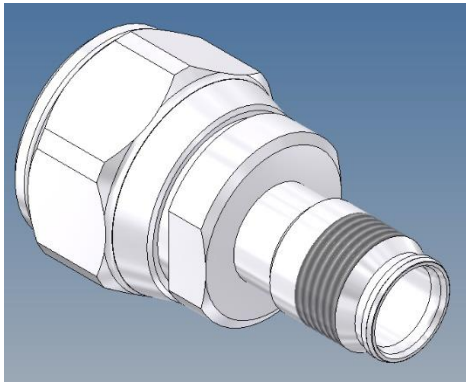


Inter-Series Adaptor Type NEX10[®] Socket to N Plug || BN 227005



all dimensions in millimeter

Interface type	N plug (50 Ω) per IEC 61169-16 NEX10 [®] socket
Frequency range	DC to 6 GHz
VSWR, max. / typ.	1.04 @ DC to 2 GHz 1.08 @ 2 to 4 GHz 1.12 @ 4 to 6 GHz
Intermodulation (IM3) @ 2x 20W, max.	-165 dBc
Inner conductor material / surface finish	copper alloy / silver plated
Outer conductor material / surface finish	copper alloy / CuSnZn plated
Other metal parts / surface finish	copper alloy / nickel plated
Insulation	PTFE
Sealing	silicone rubber
IP protection level	IP68 per EN 60529 (barrier sealing)
Weight, approx.	31 g

This document is proprietary to us. All rights reserved. Any use, transfer, or reproduction of this document or the know-how contained therein requires our express consent.

SPINNER GmbH
 Template TD-00003F