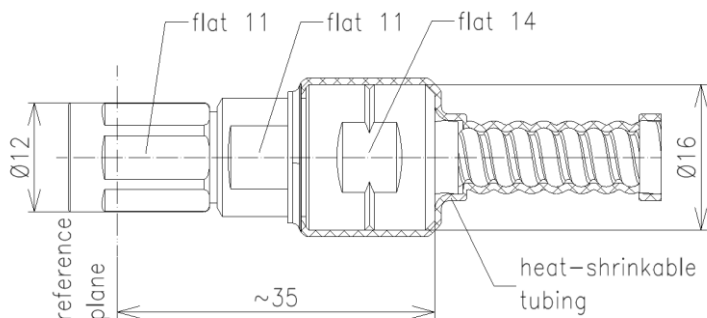


cable plug for cable SF 1/4"-50, Type NEX10 | BN 300003



All dimensions in millimeter

Radio frequency characteristics

Interface type	NEX10® plug screw (50 Ω) per IEC 61169-71	
Version	CAF®	
Frequency range	DC to 6 GHz	
VSWR, max. / typ.	1.03 @ DC to 1.0 GHz 1.06 @ 1.0 to 2.0 GHz 1.08 @ 2.0 to 2.7 GHz 1.12 @ 2.7 to 3.8 GHz 1.20 @ 3.8 to 6.0 GHz	
Inner conductor material / surface finish	copper alloy / silver plated	
Outer conductor material / surface finish	copper alloy / CuSnZn plated	
Other metal parts / surface finish	copper alloy / nickel plated	
Insulation	PTFE	
Sealing	silicone rubber, heat-shrinkable adhesive tubing	
IP protection level	IP68 per EN 60529 (barrier and mating face sealed)	
Cable compatibility	RFS	SCF14-50
Installation instructions / Product manual	M30493	
Weight, approx.	35 g	
Scope of delivery	heat-shrinkable adhesive tubing, installation instructions	

SPINNER GmbH
 This document is proprietary to us.
 All rights reserved. Any use, transfer, or reproduction of this document
 or the know-how contained therein requires our express consent.