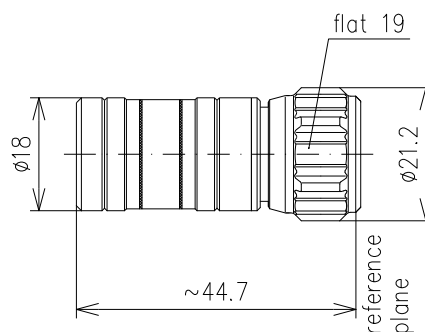


PRECISION LOAD



Part number	BN 39 24 97		
Connector type	N plug		
Impedance	50 Ω		
Frequency range	0 - 18 GHz		
Electrical data			
Frequency range	0 - 3 GHz	3 - 9 GHz	9 - 18 GHz
Return loss	≥ 40 dB	≥ 34 dB	≥ 32 dB
Power rating	0.5 W max.		
DC-resistance	50 $\Omega \pm 0.5$		
Material and surface			
Inner conductor	CuBe age hardened	gold-plated	
	copper alloy	gold-plated	
Outer conductor	copper alloy	gold-plated	
Other metal parts	copper alloy	nickel-plated	
Insulation	cross linked polystyrene		
Standards	IEC 61169-16		
Weight	approx. 0.06 kg		