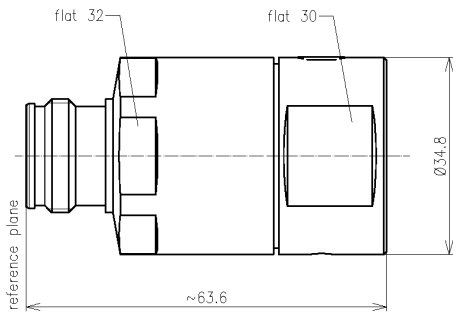


Cable Socket 4.3-10 for LF7/8"-50 || BN 431040



all dimensions in millimeter

SPINNER GmbH  
 This document is proprietary to us.  
 All rights reserved. Any use, transfer, or reproduction of this document  
 or the know-how contained therein requires our express consent.

Interface type	4.3-10 socket (50 Ω) per IEC 61169-54	
Version	CAF®	
Frequency range	DC to 3.8 GHz	
VSWR, max.	1.02 @ DC to 1.0 GHz 1.03 @ 1.0 to 2.7 GHz 1.06 @ 2.7 to 3.8 GHz	
Inner conductor material / surface finish	copper alloy / silver plated	
Outer conductor material / surface finish	copper alloy / silver plated	
Other metal parts / surface finish	copper alloy / nickel plated	
Insulation	PTFE	
Sealing	silicone rubber PLAST 2000®	
IP protection level	IP68 per EN 60529 (barrier and mating face sealed)	
Cable compatibility	SPINNER	SpinnerFlex® LF7/8"-50
	RFS	LCF78-50A UCF78-50A
Installation instructions / Product manual	M30794	
Weight, approx.	190 g	
Scope of delivery	cover, installation instructions	