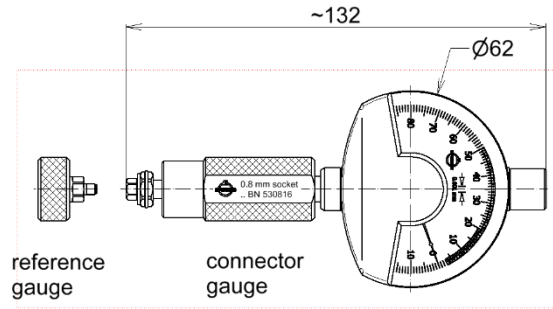


Connector gauge; 0.8 mm socket | BN 530816



all dimensions in millimeter

Device under test characteristics

Interface type	0.8 mm socket per IEEE Std 287	
Connector grade	metrology	instrument
Pin depth range	3 to 20 μm	3 to 50 μm
Pin depth tolerance	17 μm	47 μm

Connector gauge characteristics

Dial range	100 μm (85 μm recess to 15 μm protrusion)
Scale division	1 μm
Tolerance markings	colored dial segments for the two devices under test listed above
Measurement error, max.	3 μm ¹⁾
Measuring force, approx.	0.5 N
Material of the touchable metal parts	stainless steel
Weight, approx.	300 g
Marking	laser engraving
Handling instructions	38712A

¹⁾ Conditions: Follow the handling instructions to achieve the lowest possible error.

Environmental conditions

Operation	
Ambient temperature range	+18 to +28°C
Storage	
Ambient temperature range	-30 to +50°C

Scope of delivery and accessories

Scope of delivery	connector gauge, reference gauge, storage box, handling instructions, factory calibration certificate
-------------------	---

Recalibration

Suggestions for recalibrating the connector gauge can be found in the handling instructions.