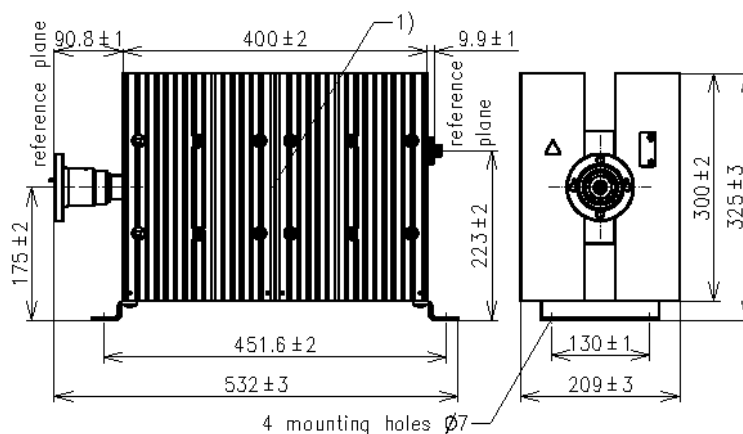
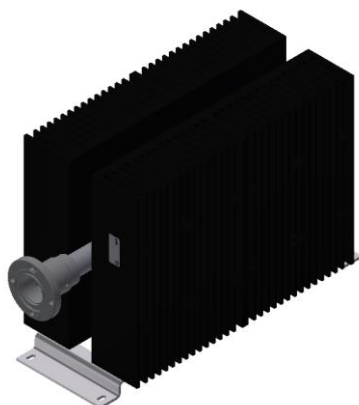


Attenuator | BN 531653C1170



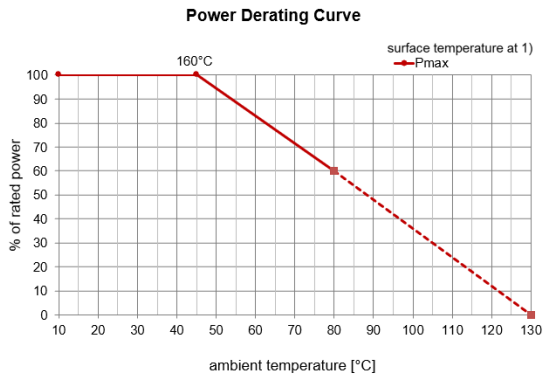
all dimensions in millimeter

Interface type	Input: 1 5/8" EIA (50 Ω) per IEC 60339-2 Output: N socket (50 Ω) per IEC 61169-16
Frequency range	DC to 2.2 GHz
VSWR _{input} , max.	1.08 @ DC to 0.86 GHz 1.20 @ 0.86 to 1.50 GHz 1.30 @ 1.50 to 2.20 GHz
VSWR _{output} , max.	1.15 @ DC to 0.86 GHz 1.25 @ 0.86 to 1.50 GHz 1.30 @ 1.50 to 2.20 GHz
Average power rating, max.	2000 W ²⁾
Attenuation	30±1 dB @ DC to 0.86 GHz 30±1.5 dB @ 0.86 to 2.20 GHz
Inner conductor material / surface finish	copper alloy / silver plated
Outer conductor material / surface finish	copper alloy / silver plated copper alloy / CuSnZn plated
Case material / surface finish	aluminum / no finish
Heat sink	aluminum / anodised black
Other metal parts / surface finish	copper alloy / silver plated CuBe age-hardened / silver plated CuBe age-hardened / no finish stainless steel / no finish
Insulation	PTFE glas fibric epoxy
Other parts	aluminum nitride (free of beryllium oxide)
IP protection level	IP50 per EN 60529
Weight, approx.	31 kg
Ambient temperature range	-40 to +45 °C full power ²⁾
Altitude, max.	2300 m full power ²⁾
Operating position	cooling fins vertically

¹⁾ Measuring point for surface temperature

²⁾ The maximum power handling is reduced with rising ambient temperatures as follows

Attenuator | BN 531653C1170



SPINNER GmbH
This document is proprietary to us.
All rights reserved. Any use, transfer, or reproduction of this document
or the know-how contained therein requires our express consent.