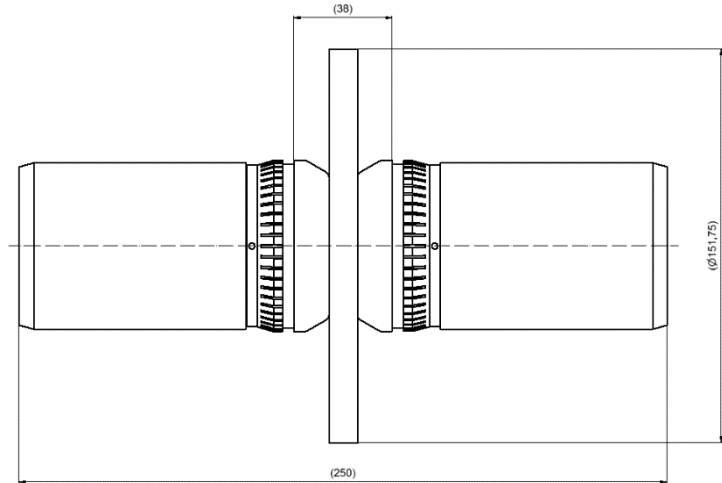
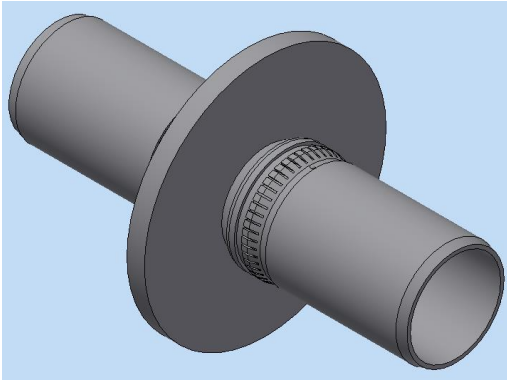


6 1/8" SMS Inner support || BN 532784



Dimensions in millimeters

Interface type	EIA 6 1/8" male – 50 ohms	
Standards	EN 122150; 339 ICE	
Frequency range *)	0 to 800 MHz	
Average power, max. **)	100 MHz 230 MHz 800 MHz	≤ 224 kW ≤ 148 kW ≤ 78 kW
VSWR, max. *)	≤ 1.02	
Proof voltage *)	28 kV @ sea level (NN) 47 kV @ 2 bar absolute 61 kV @ 4 bar absolute	
Inner conductor material / surface finish	copper alloy / silver plated	
Outer conductor material / surface finish	n.a.	
Insulation	PTFE	
Sealing	silicone	
Other metal parts	stainless steel	
Absolute operating pressure *)	4x10 <sup>5</sup> Pa (4 bar)	
Leakage rate, max. *)	5x10 <sup>-4</sup> mbar l/s @ absolute operating pressure	
Admissible axial force	acc. to EN 122150	
Weight, approx.	2.3 kg	
Environmental conditions	For limitations see "Environmental Conditions for Broadcast Products" TD-00060	
Scope of delivery	Coupling element, sealing and 12x (screws M10x60 DIN 912 and nuts M10 DIN 934)	

Conditions:

\*) With an appropriate outer conductor

\*\*) At 40°C ambient temperature; 1 bar inner absolute air pressure; inner conductor temperature 150°C