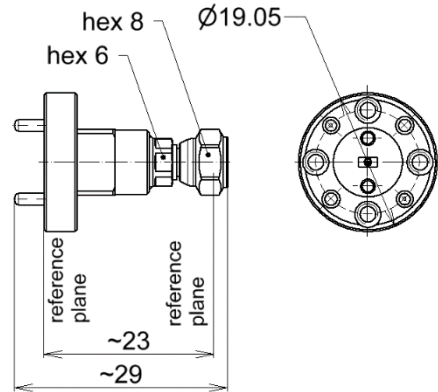


Precision Inter-series Adaptor || BN 533134



all dimensions in millimeter

**Radio frequency characteristics**

|                               |   |
|-------------------------------|---|
| Interface type                | R 900 compatible to IEC 60153-2 (WR 10 per EIA RS-261, WM-2540 per IEEE Std 1785.1) / 1.35 mm plug per IEEE Std 287 |
| Waveguide interface connector | precision flange with anti-cocking rim compatible to M3922/67-010 (UG-387/U-mod) and IEEE 1785.2a type flanges      |
| Frequency range               | 75 to 90 GHz  |
| Impedance                     | 50 Ω  |
| Return loss, min.             | 16 dB min. (20 dB typ.) @ 75 to 90 GHz  |

**Mechanical characteristics**

|  |  |
|--|--|
| Center conductor material / surface finish | CuBe age hardened / gold-plated                  |
| Outer conductor material / surface finish  | CuBe / gold-plated<br>copper alloy / gold-plated |
| Insulation                                 | PS   |
| Other metallic parts / surface finish      | stainless steel                                  |
| Weight, approx.                            | 0.02 kg  |
| Marking                                    | laser engraving                                  |

**Environmental conditions**

|                           |                      |
|---------------------------|----------------------|
| <b>Operation</b>          |                      |
| Ambient temperature range | +18 to +28°C         |
| <b>Storage</b>            |                      |
| Ambient temperature range | -40 to +70°C         |
| Relative humidity         | 95% (non condensing) |

**Scope of delivery and accessories**

|                   |                 |
|-------------------|-----------------|
| Scope of delivery | protective caps |
|-------------------|-----------------|

SPINNER GmbH  
 This document is proprietary to us.  
 All rights reserved. Any use, transfer, or reproduction of this document  
 or the know-how contained therein requires our express consent.