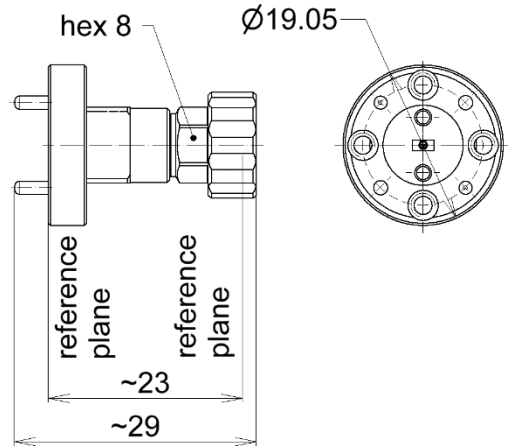


Precision Inter-series Adaptor || BN 533141



all dimensions in millimeter

**Radio frequency characteristics**

Interface type	R 900 compatible IEC 60153-2 (WR 10 per EIA RS-261, WM-2540 per IEEE Std 1785.1) / 1.0 mm socket per IEC 61169-31 ruggedized
Waveguide interface connector	precision flange with anti-cocking rim compatible to M3922/67-010 (UG-387/U-mod) and IEEE 1785-2a type flanges
Frequency range	75 to 110 GHz
Impedance	50 Ω
Return loss	16 dB min. (20 dB typ.) @ 75 to 110 GHz

**Mechanical characteristics**

Center conductor material / surface finish	CuBe age hardened / gold-plated
Outer conductor material / surface finish	copper alloy / gold-plated
Insulation	PEI
Other metallic parts / surface finish	stainless steel
Weight, approx.	0.02 kg
Marking	laser engraving

**Environmental conditions**

<b>Operation</b>	
Ambient temperature range	+18 to +28°C
<b>Storage</b>	
Ambient temperature range	-40 to +70°C
Relative humidity	95% (non condensing)

**Scope of delivery and accessories**

Scope of delivery	protective caps
-------------------	-----------------

SPINNER GmbH  
 This document is proprietary to us.  
 All rights reserved. Any use, transfer, or reproduction of this document  
 or the know-how contained therein requires our express consent.