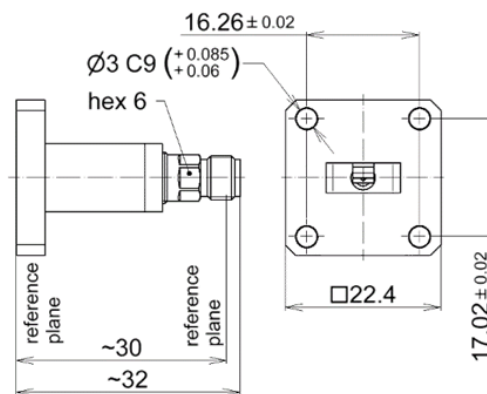


Adapter precision; R220 to 3.5 mm socket | BN 533195



all dimensions in millimeter

Radio frequency characteristics

Waveguide interface aperture	R220 per IEC 60153-2 (WR 42 per EIA RS-261)
Waveguide interface mechanics	UBR 220 per IEC 60154-2 (WR 42 per EIA RS-261)
Coaxial interface type	3.5 mm socket per IEC 60169-23
Interface orientation	in-line
Frequency range	17.6 to 26.7 GHz
Characteristic impedance	50 Ω
Return loss, min. / typ.	23 dB / 28 dB
Insertion loss max. / typ.	0.15 dB / 0.1 dB

Mechanical characteristics

Inner conductor material / surface coating	CuBe age hardened / gold-plated
Outer conductor material / surface coating	CuBe / gold-plated copper alloy / gold-plated
Dielectric material	PS, PTFE
Other parts material / surface coating	stainless steel
Weight, approx.	38 g
Marking	laser engraving

Environmental conditions

Operation	
Operating environment	indoor
Ambient temperature range	+18 to +28°C
Relative humidity, max.	95% (non-condensing)
Storage	
Ambient temperature range	-40 to +70°C
Relative humidity, max.	95% (non-condensing)

Scope of delivery and accessories

Scope of delivery	protective caps
-------------------	-----------------

SPINNER GmbH
 This document is proprietary to us.
 All rights reserved. Any use, transfer, or reproduction of this document
 or the know-how contained therein requires our express consent.

Template TD-00002.dotx | Issue AB