

ARTICULATED LINE || BN 533646Cxxxx



Version plug / plug

Versions:

- plug / plug
- plug / socket
- socket / socket

**Radio frequency characteristics of articulated line**

Interface type	2.4 mm per IEEE Std 287
Frequency range	DC to 50 GHz
Impedance	50 Ω
Return loss, min.	26 dB @ DC to 4 GHz 15 dB @ 4 to 18 GHz 12 dB @ 18 to 26.5 GHz 10 dB @ 26.5 to 40 GHz 8 dB @ 40 to 50 GHz
Phase stability of S <sub>11</sub> and/or S <sub>22</sub> (at any movement)	± 1.5 deg. @ DC to 18 GHz ± 2.0 deg. @ 18 to 26.5 GHz ± 2.5 deg. @ 26.5 to 40 GHz ± 3.0 deg. @ 40 to 50 GHz
Amplitude stability of S <sub>11</sub> and/or S <sub>22</sub> (at any movement)	± 0.05 dB @ DC to 26.5 GHz ± 0.10 dB @ 26.5 to 40 GHz ± 0.15 dB @ 40 to 50 GHz
Insertion loss, max.	2.5 dB @ DC to 18 GHz 3.5 dB @ 18 to 26.5 GHz 4.5 dB @ 26.5 to 40 GHz 5.5 dB @ 40 to 50 GHz
Power rating, max.	2.5 W

SPINNER GmbH  
 This document is proprietary to us.  
 All rights reserved. Any use, transfer, or reproduction of this document  
 or the know-how contained therein requires our express consent.

ARTICULATED LINE || BN 533646Cxxxx

**Radio frequency characteristics of port saver**

Interface type	2.4 mm plug / socket per IEEE Std 287
Frequency range	DC to 50 GHz
Impedance	50 Ω
Return loss, min.	32 dB @ DC to 4 GHz 30 dB @ 4 to 26.5 GHz 25 dB @ 26.5 to 40 GHz 23 dB @ 40 to 50 GHz

**Mechanical characteristics**

Center conductor material / surface finish	CuBe age hardened, CuBe, copper alloy / gold-plated
Outer conductor material / surface finish	CuBe age hardened, CuBe, copper alloy / gold-plated
Insulation	PEI, PS
Other metallic parts / surface finish	CuBe / CuSnZn-plated copper alloy / gold-plated copper-nickel alloy stainless steel
Typical flex cycles	1.000.000
Weight articulated line, approx.	0.3 kg
Weight port saver, approx.	0.01 kg

**Environmental conditions**

Temperature range	-55 to +85°C
Relative humidity, max.	95% (non-condensing)

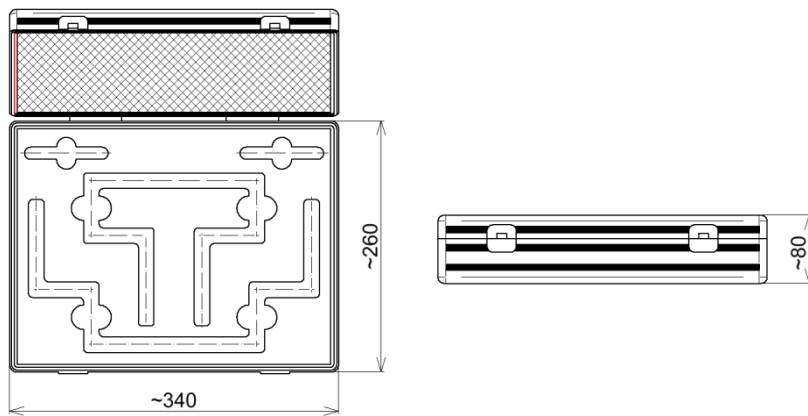
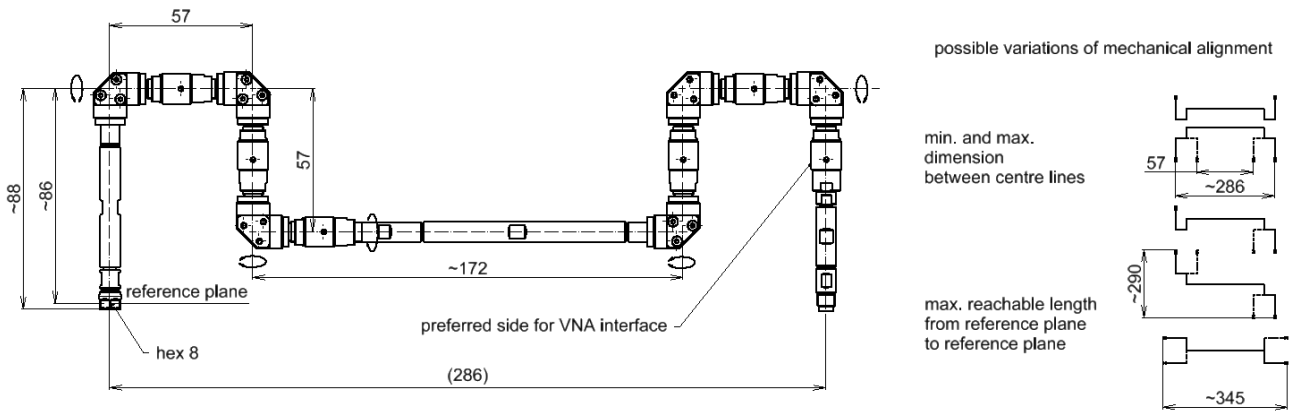
**Scope of delivery and accessories**

Scope of delivery	storage case, data sheet, handling instructions available configurations see Table 1)
-------------------	--

SPINNER GmbH  
 This document is proprietary to us.  
 All rights reserved. Any use, transfer, or reproduction of this document  
 or the know-how contained therein requires our express consent.

ARTICULATED LINE || BN 533646Cxxxx

Outline (all dimensions in millimeter)



Available configurations:

Table 1)

Connector size	Line 1 gender combination	Line 2 gender combination	Port Saver 1 gender combination	Port Saver 2 gender combination	Order number
2.4 mm	(m)/(m)	-	(m)/(f)	-	533646C1010
2.4 mm	(m)/(m)	(m)/(m)	(m)/(f)	(m)/(f)	533646C1111
2.4 mm	(m)/(f)	-	(m)/(f)	-	533646C2010
2.4 mm	(m)/(f)	(m)/(f)	(m)/(f)	(m)/(f)	533646C2211
2.4 mm	(f)/(f)	-	(m)/(f)	-	533646C3010
2.4 mm	(f)/(f)	(f)/(f)	(m)/(f)	(m)/(f)	533646C3311

SPINNER GmbH  
 This document is proprietary to us.  
 All rights reserved. Any use, transfer, or reproduction of this document  
 or the know-how contained therein requires our express consent.