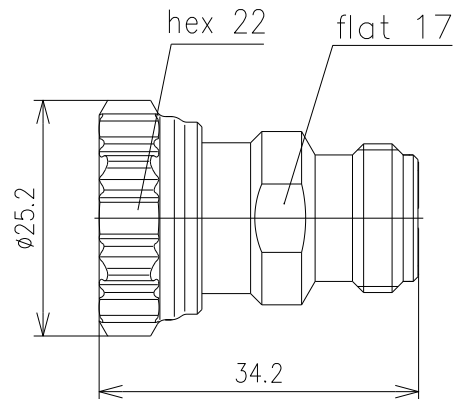


PRECISION INTER-SERIES ADAPTOR || BN 533724



all dimensions in millimeter

Radio frequency characteristics

Interface type	4.1-9.5 plug per IEC 61169-11 / N socket per IEC 61169-16
Frequency range	DC to 12.5 GHz
Impedance	50 Ω
Return loss, min.	40 dB @ DC to 4 GHz 30 dB @ 4 to 12.5 GHz

Center conductor material / surface finish	CuBe age hardened / gold-plated
Outer conductor material / surface finish	copper alloy / gold-plated
Insulation	cross linked polystyrene
Other metallic parts / surface finish	copper alloy / nickel-plated
Weight, approx.	0.05 kg
Marking	laser engraving

General environmental conditions

Operation	
Ambient temperature range	+18 to +28°C
Storage	
Ambient temperature range	-40 to +70°C
Relative humidity	95% (non condensing)

Scope of delivery and accessories

Scope of delivery	test report, protective caps
-------------------	------------------------------