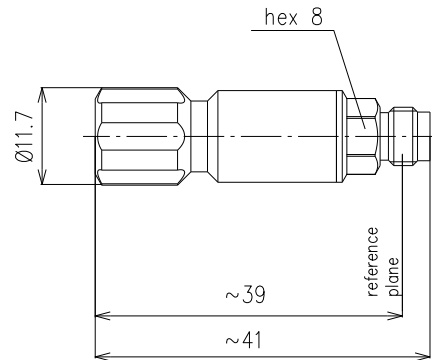


PRECISION LOAD



Part number	BN 53 37 65 R000			
Connector type	3.5 mm socket			
Impedance	50 Ω			
Frequency range	0 - 32 GHz			
Electrical data				
Frequency range	0 - 4 GHz	4 - 10 GHz	10 - 26.5 GHz	26.5 - 32 GHz
Return loss	≥ 40 dB	≥ 34 dB	≥ 30 dB	≥ 28 dB
Power rating	0.25 W max.			
DC-resistance	50 Ω ±0.5			
Material and surface				
Inner conductor	CuBe age hardened		gold-plated	
Outer conductor	CuBe		gold-plated	
Other metal parts	copper alloy		gold-plated	
Insulation	cross linked polystyrene			
Standards	IEC 60169-23			
Operating temperature	+18 °C - +28 °C			
Storage temperature	-40 °C - +70 °C			
Relative humidity	0 - 95% at 40 °C, non-condensing			
Weight	approx. 0.02 kg			
Product manual	M36081			
Included in delivery	certificate of calibration			